



Products Manual

Waterproof Box 防水盒选型手册

赛普电气集团有限公司
SAIP ELECTRIC GROUP CO.,LTD

浙江斯普威尔电气有限公司
ZHEJIANG SAIPWELL ELECTRIC CO.,LTD

电话.TEL: +86-0577-62760721

传真.FAX: +86-0577-62760731

邮箱.E-mail:saip@saip.cn

网址.Website:www.saipwell.com.cn

浙江省乐清市柳市工业区

Liushi Industrial Zone, Yueqing, Zhejiang, 325604 China

上海斯普威尔电气有限公司
SHANGHAI SAIPWELL ELECTRIC CO.,LTD

电话.TEL: +86-21-33050667

传真.FAX: +86-21-33050669

邮箱.E-mail:saip@saip.cn

网址.Website:www.saipwell.com

上海市宝山区陆翔路1018号

No. 1018, Luxiang Road, Baoshan District, Shanghai

© 202208

Copyright © Saip ELEC. All Right Reserved
Deliver happiness to everyone



To create products
that deliver happiness to everyone

—— 铸造充满幸福的产品 ——

CONTENTS

Copyright © SaipWell ELEC. All Right Reserved Deliver happiness to everyone

目录

02	关于斯普威尔 About SaipWell
03	品牌故事 Brand Story
05	公司愿景 Enterprise Vision
07	经营理念 Operation Concept
09	价值观 Values
12	产品索引 About Products

关于斯普威尔

SAIPWELL ELEC.



Copyright © SaipWell ELEC. All Right Reserved Deliver happiness to everyone

Us.

斯普威尔电气是赛普电气集团旗下的电气公司，是全球箱体领域的引领者。主要业务涉及电气机柜、IT机柜、成套电器和新能源产品等核心领域。自2006年成立以来，一直助力产品的提质升级，传递安全、智能和幸福的价值理念。

斯普威尔电气引进国外资深管理与经验丰富的专业人事，以严谨的管理、有创意的研发团队、先进的营销理念，在传统产品的基础上创造和发展了更具前沿感、设计感和良好性价比的产品。

斯普威尔电气设有3大营销公司，分别在上海宝山、广州增城、温州瓯江口；4大生产基地，分布在浙江温州、浙江乐清、浙江丽水、山东烟台；并拥有超过100家的代理和遍布全球的销售网络。

提供产品，更提供智慧。斯普威尔与多家国际化公司建立了良好的长期合作伙伴关系，并一如既往地坚持“合作发展，共同提高”的服务宗旨，以真诚的合作态度来最大程度地满足客户的需求，助力电气行业实现可持续发展的期望，确立全球市场的领先地位。

Saipwell Electricity is a subsidiary of Saip Electric Group and is a leader in the global enclosure market. Its main business involves the manufacturing of electrical and IT enclosures, assembly of whole electrical switchgear systems and development of enclosures for use in new energy solutions. Since our company's inception in 2006, we have been improving and upgrading the quality of our products as we work towards our goal of delivering happiness to our customers through their use of our safe and intelligent products.

Saipwell Electricity has been actively recruiting employees with management experience in both local and foreign companies. With this wealth of experience, creative marketing strategies and innovative R&D, we strive to create and develop more cutting-edge, cost-effective and well-designed products than their predecessors.

Saipwell Electricity has 3 authorized distributors in Baoshan (Shanghai), Zengcheng (Guangzhou), Oujiangkou (Wenzhou) and a total of 4 production sites in Wenzhou (Zhejiang), Yueqing (Zhejiang), Lishui (Zhejiang), Yantai (Shandong). We also have a global sales network of more than 100 agents supporting our customers worldwide.

We provide not just products, but also solutions to our customers. Saipwell has established good long-term partnerships with many international companies over the years. Together with our partners, we aim to achieve our mission of collective development and improvement by adopting a sincere attitude in meeting the needs of our customers; and in the process play a role in helping the Chinese electrical industry establish sustainable development and a leading position in the global electrical market.



BRAND STORY.

品牌故事

SAIPWELL ELEC.

Copyright © SaipWell ELEC. All Right Reserved Deliver happiness to everyone

斯普威尔logo形似一只可爱灵动的海豚，用它的灵性与友好向世人传递着美好、快乐与幸福。

早在古希腊人们就很喜欢海豚，他们认为看到海豚在船周围的波浪中是一个好兆头。传说阿里翁曾被所乘船上的水手抢劫，被迫跳海，一只海豚被他的歌声打动，因而把他救上岸。直至今日，海豚这种大海里的精灵仍然深受全世界人民的喜爱，一直在人类文化中扮演着重要的角色。斯普威尔也有着海豚般的聪慧与友爱，在您最需要我们的时候为您提供最大的支持，用我们的灵感和智慧，用最靠谱的性格，成为您最真诚的伙伴。

The inspiration of our logo came from the cute-looking dolphin and its spirit of friendliness and ability to bring happiness to everyone around it.

Since ancient Greek times, dolphins are well-loved animals and it is thought to be a good sign if one sees them in the waves or waters. Legend has it that Arion was robbed by sailors in his boat and forced to jump into the sea. Moved by his singing, a dolphin rescued him to shore. Today, dolphins, the spirits of the sea, are loved by people all over the world and play an important role in human culture. Saipwell too, with a dolphin-like intelligence and friendship will provide you with the greatest support when you need it. Using our inspiration and knowledge, we hope to become your most reliable and sincere partner.

VISION.

公司愿景

SAIPWELL ELEC.

Copyright © SaipWell ELEC. All Right Reserved Deliver happiness to everyone

“创领未来箱体”这一公司愿景恰恰反映了我们希望为世界带来积极的影响。斯普威尔拥有强大的研发设计能力，目前已拥有20余项箱体专利技术和著作权。最新落成的温州生产基地采用柔性钣金生产线（FMS），箱体的生产实现了自动上下料、自动切割、自动冲剪、机器人折弯、机器人焊接、交互式PU发泡和理光UV彩色打印。

专注研发生产和科技投入，这是斯普威尔扎根行业发展恒久不变的基调，未来的每一步成长，我们都愿意与您共同参与，相濡以沫，携手并进。

Creating Enclosures of the Future. This enterprise vision reflects our desire to make a positive impact on the world. Saipwell has strong R&D and design capabilities and currently has more than 20 enclosure design trademarks and technology patents. Our newly completed Wenzhou production base is fitted with an automated flexible sheet metal production line (FMS). Through automatic loading and unloading, automatic punching and cutting, robot bending, robot welding, interactive PU foaming and Ricoh UV color printing, product precision and costs efficiencies are achieved.

A focus on R&D and technological investments will continue to be cornerstones of Saipwell's development. We look forward to you participating in every step of our growth and making progress together, hand in hand.

铸造充满幸福的产品

To create products that deliver happiness to everyone



商业原则
BUSINESS
PRINCIPLE

做简单的生意 简单地做生意
To conduct business in a simple
straightforward manner.

企业精神
CORPORATE
SPIRIT

耐心 细心
Patience Dedication

Concept.

经营理念 

SAIPWELL ELEC.

Copyright © SaipWell ELEC. All Right Reserved Deliver happiness to everyone

人生观
HUMAN
PRINCIPLE

客户至上 员工第一
Customers are our topmost priority,
followed by our employees and stakeholders

工作观
WORKING
PRINCIPLE

快乐工作 幸福生活
To work and live happily

产品观
PRODUCT
PRINCIPLE

文化电气 / 幸福电气 / 品质电气 / 信息电气 / 便捷电气
To manufacture quality, innovative products that bring
convenience to its users

Value.

价值观

SAIPWELL ELEC.

Copyright © SaipWell ELEC. All Right Reserved Deliver happiness to everyone

- 平等——人人平等
 - 拼搏——全力以赴，付出不亚于任何人的努力
 - 创新——思想创新、产品创新、管理创新
 - 信任——相信别人并敢于托付
 - 感恩——活着就要感谢
 - 利他——积善行，思利他
- Equality - Everyone is equal
 Fighting Spirit - Putting in the best effort in everything
 Innovation - Innovative & creative product development and management
 Trust - To trust and be trusted
 Gratitude - Be grateful and appreciative
 Altruism - Do good deeds and be considerate of others

Honor

斯普威尔的证书

SAIPWELL ELEC.

Copyright © SaipWell ELEC. All Right Reserved Deliver happiness to everyone



铸造充满幸福的产品

To create products
that deliver happiness to everyone

SAIPWELL ELEC.

Copyright © SaipWell ELEC. All Right Reserved Deliver happiness to everyone



Index.

Copyright © Saip ELEC. All Right Reserved
Deliver happiness to everyone

产品索引

开关防水盒 Switch Box(Screw Open-close Type)	11-12
大型防水箱 Large Waterproof Box	13-15
防水接线盒 Waterproof Junction Box	16-20
端子盒 Terminal Box	21-23
搭扣防水箱 Buckle Waterproof Box	24-26
带锁防水箱 Enclosure With Lockable Door	27-29
铝防水盒 Aluminium Waterproof Box	30-33
玻璃纤维箱 Polyester Enclosure Fiberglass Box	34-38
防水配电箱 Waterproof Distribution Box	39-56
防水开关插座 Waterproof Switch And Socket	57-76
转换插座 Conversion Socket	77
防水接头 Cable Gland	78-94
接线端子 Terminal Blocks	95-97
汇流排、导轨 Busbar、Din Rail	98-100



IP66
PROTECTION
DEGREE

产品特性 PRODUCT FEATURES

- 采用高强度ABS材料制成，外观美观大方，具有很高的可塑性和坚固性。
- 获得CE认证和ROHS认证。
- 适用于接线箱、配电箱、仪器仪表盒、信号箱等设备。
- 防护等级：IP67
- 抗冲击力：IK10

- It is made of ABS materials that have a good exterior, excellent processing performance and strength.
- As a conventional plastic box, it is a popular product that is approved by various stand organization such as CE ,ROHS and Customer Association.
- It is convenient for the general & mechanical usages such as terminal box, measuring equipment box, gauge box, power distribution, control box, etc.
- Protection degree: IP67
- Degree of Protection against Mechanical Impact : IK10

技术参数 TECHNICAL DATA

型号 Model	尺寸(mm) Size (mm)	型号 Model	尺寸(mm) Size (mm)
SP-UG-0807	80*75*65	SP-UG-1313	130*130*75
SP-UG-1208	120*80*65	SP-UG-1813	180*130*75
SP-UG-1708	170*80*65	SP-UG-1818	180*180*75
SP-UG-2308	230*80*85	SP-UG-2015	200*150*100
SP-UG-2808	280*80*85	SP-UG-2518	250*180*100
SP-UG-1111	110*110*65		



IP66
PROTECTION
DEGREE

产品特性 PRODUCT FEATURES

- 采用高强度ABS、PC材料制成，重量只有铁制箱子的1/4左右，便于搬运和操作，耐腐蚀，绝缘性佳。
- 产品经过严格的品质检测，其防水、防尘等级达到IP66（检测报告备案）。
- 适用于机场、地铁站、按钮盒、小型终端机、信号机箱、继电器、传感器、通信接线盒等设备。
- It is made from high strength ABS/PC material, weights about 1/4 of the metal box, easy handling and operating, corrosion resistance, good insulation.
- The product has passed strict waterproof and dustproof test, it reach IP66.
- It can be used in airport, subway station, and it can be pushbutton box, terminal box, signal box, relays box, sensor box and communication junction box and so on.

技术参数 TECHNICAL DATA

尺寸Size WxHxD(mm)	ABS 灰色盖子 Solid cover	ABS/PC 透明盖子 Clear cover	PC 灰色盖子 Solid cover	PC 透明盖子 Clear cover	备注 Remarks
50 x 65 x 55	DS-AG-0506	DS-AT-0506	DS-PG-0506	DS-PT-0506	不锈钢螺丝 stainless steel screws
65 x 95 x 55	DS-AG-0609	DS-AT-0609	DS-PG-0609	DS-PT-0609	自带底板 Self-contained mounting plate
80 x 110 x 45	DS-AG-0811-S	DS-AT-0811-S	DS-PG-0811-S	DS-PT-0811-S	
80 x 110 x 70	DS-AG-0811	DS-AT-0811	DS-PG-0811	DS-PT-0811	
80 x 110 x 85	DS-AG-0811-1	DS-AT-0811-1	DS-PG-0811-1	DS-PT-0811-1	
80 x 130 x 70	DS-AG-0813	DS-AT-0813	DS-PG-0813	DS-PT-0813	
80 x 130 x 85	DS-AG-0813-1	DS-AT-0813-1	DS-PG-0813-1	DS-PT-0813-1	
80 x 160 x 55	DS-AG-0816-S	DS-AT-0816-S	DS-PG-0816-S	DS-PT-0816-S	不锈钢螺丝 stainless steel screws
80 x 180 x 65	DS-AG-0818	DS-AT-0818	DS-PG-0818	DS-PT-0818	
80 x 250 x 65	DS-AG-0825	DS-AT-0825	DS-PG-0825	DS-PT-0825	
80 x 250 x 85	DS-AG-0825-1	DS-AT-0825-1	DS-PG-0825-1	DS-PT-0825-1	
100 x 100 x 75	DS-AG-1010	DS-AT-1010	DS-PG-1010	DS-PT-1010	
125 x 125 x 75	DS-AG-1212-S	DS-AT-1212-S	DS-PG-1212-S	DS-PT-1212-S	
125 x 125 x 100	DS-AG-1212	DS-AT-1212	DS-PG-1212	DS-PT-1212	
125 x 175 x 75	DS-AG-1217	DS-AT-1217	DS-PG-1217	DS-PT-1217	
125 x 175 x 100	DS-AG-1217-1	DS-AT-1217-1	DS-PG-1217-1	DS-PT-1217-1	
140 x 170 x 95	DS-AG-1417	DS-AT-1417	DS-PG-1417	DS-PT-1417	
175 x 175 x 100	DS-AG-1717-1	DS-AT-1717-1	DS-PG-1717-1	DS-PT-1717-1	
150 x 200 x 100	DS-AG-1520	DS-AT-1520	DS-PG-1520	DS-PT-1520	
150 x 200 x 130	DS-AG-1520-1	DS-AT-1520-1	DS-PG-1520-1	DS-PT-1520-1	
150 x 250 x 100	DS-AG-1525	DS-AT-1525	DS-PG-1525	DS-PT-1525	
150 x 250 x 130	DS-AG-1525-1	DS-AT-1525-1	DS-PG-1525-1	DS-PT-1525-1	
175 x 250 x 75	DS-AG-1725	DS-AT-1725	DS-PG-1725	DS-PT-1725	
175 x 250 x 100	DS-AG-1725-1	DS-AT-1725-1	DS-PG-1725-1	DS-PT-1725-1	
200 x 200 x 95	DS-AG-2020-S	DS-AT-2020-S	DS-PG-2020-S	DS-PT-2020-S	
200 x 200 x 130	DS-AG-2020	DS-AT-2020	DS-PG-2020	DS-PT-2020	
280 x 190 x 130	DS-AG-2819	DS-AT-2819	DS-PG-2819	DS-PT-2819	
280 x 280 x 130	DS-AG-2828	DS-AT-2828	DS-PG-2828	DS-PT-2828	
380 x 190 x 130	DS-AG-3819	DS-AT-3819	DS-PG-3819	DS-PT-3819	

WATERPROOF SWITCH BOX (METAL CLASP) DS-AGS 开关防水盒(金属搭扣)



IP66
PROTECTION
DEGREE

产品特性 PRODUCT FEATURES

- 采用高强度ABS、PC材料制成，重量只有铁制箱子的1/4左右，便于搬运和操作，耐腐蚀，绝缘性佳。
- 产品经过严格的品质检测，其防水、防尘等级达到IP66（检测报告备索）。
- 适用于机场、地铁站、按钮盒、小型终端机、信号机箱、继电器、传感器、通信接线盒等设备。
- It is made from high strength ABS/PC material, weights about 1/4 of the metal box, easy handling and operating, corrosion resistance, good insulation.
- The product has passed strict waterproof and dustproof test, it reach IP66.
- It can be used in airport, subway station, and it can be pushbutton box, terminal box, signal box, relays box, sensor box and communication junction box and so on.

技术参数 TECHNICAL DATA

尺寸Size	ABS	PC/ABS	PC	PC
宽x高x深度(mm) WxHxD(mm)	灰色盖子 Solid cover	透明盖子 Clear cover	灰色盖子 Solid cover	透明盖子 Clear cover
80 x 110 x 70	DS-AGS-0811	DS-ATS-0811	DS-PGS-0811	DS-PTS-0811
80 x 110 x 85	DS-AGS-0811-1	DS-ATS-0811-1	DS-PGS-0811-1	DS-PTS-0811-1
80 x 130 x 70	DS-AGS-0813	DS-ATS-0813	DS-PGS-0813	DS-PTS-0813
80 x 130 x 85	DS-AGS-0813-1	DS-ATS-0813-1	DS-PGS-0813-1	DS-PTS-0813-1
80 x 180 x 65	DS-AGS-0818	DS-ATS-0818	DS-PGS-0818	DS-PTS-0818
80 x 250 x 65	DS-AGS-0825	DS-ATS-0825	DS-PGS-0825	DS-PTS-0825
80 x 250 x 85	DS-AGS-0825-1	DS-ATS-0825-1	DS-PGS-0825-1	DS-PTS-0825-1
100 x 100 x 75	DS-AGS-1010	DS-ATS-1010	DS-PGS-1010	DS-PTS-1010
125 x 125 x 75	DS-AGS-1212-S	DS-ATS-1212-S	DS-PGS-1212-S	DS-PTS-1212-S
125 x 125 x 100	DS-AGS-1212	DS-ATS-1212	DS-PGS-1212	DS-PTS-1212
125 x 175 x 75	DS-AGS-1217	DS-ATS-1217	DS-PGS-1217	DS-PTS-1217
125 x 175 x 100	DS-AGS-1217-1	DS-ATS-1217-1	DS-PGS-1217-1	DS-PTS-1217-1
140 x 170 x 95	DS-AGS-1417	DS-ATS-1417	DS-PGS-1417	DS-PTS-1417
175 x 175 x 110	DS-AGS-1717-1	DS-ATS-1717-1	DS-PGS-1717-1	DS-PTS-1717-1
150 x 200 x 100	DS-AGS-1520	DS-ATS-1520	DS-PGS-1520	DS-PTS-1520
150 x 200 x 130	DS-AGS-1520-1	DS-ATS-1520-1	DS-PGS-1520-1	DS-PTS-1520-1
150 x 250 x 100	DS-AGS-1525	DS-ATS-1525	DS-PGS-1525	DS-PTS-1525
150 x 250 x 130	DS-AGS-1525-1	DS-ATS-1525-1	DS-PGS-1525-1	DS-PTS-1525-1
175 x 250 x 75	DS-AGS-1725	DS-ATS-1725	DS-PGS-1725	DS-PTS-1725
175 x 250 x 100	DS-AGS-1725-1	DS-ATS-1725-1	DS-PGS-1725-1	DS-PTS-1725-1
200 x 200 x 95	DS-AGS-2020-S	DS-ATS-2020-S	DS-PGS-2020-S	DS-PTS-2020-S
200 x 200 x 130	DS-AGS-2020	DS-ATS-2020	DS-PGS-2020	DS-PTS-2020
280 x 190 x 130	DS-AGS-2819	DS-ATS-2819	DS-PGS-2819	DS-PTS-2819

LARGE WATERPROOF BOX DS-AG 大型防水箱



IP66
PROTECTION
DEGREE

产品特性 PRODUCT FEATURES

- 采用高强度ABS、PC材料制成，重量只有铁制箱子的1/4左右，便于搬运和操作，耐腐蚀，绝缘性佳。
- 产品经过严格的品质检测，其防水、防尘等级达到IP66（检测报告备索）。
- 适用于机场、地铁站、按钮盒、小型终端机、信号机箱、继电器、传感器、通信接线盒等设备。
- It is made from high strength ABS/PC material, weights about 1/4 of the metal box, easy handling and operating, corrosion resistance, good insulation.
- The product has passed strict waterproof and dustproof test, it reach IP66.
- It can be used in airport, subway station, and it can be pushbutton box, terminal box, signal box, relays box, sensor box and communication junction box and so on.

技术参数 TECHNICAL DATA

尺寸Size	ABS	PC/ABS	PC	PC
宽x高x深度(mm) WxHxD(mm)	灰色盖子 Solid cover	透明盖子 Clear cover	灰色盖子 Solid cover	透明盖子 Clear cover
190x190x130	DS-AG-1919	DS-AT-1919	DS-PG-1919	DS-PT-1919
280x190x130	DS-AG-2819	DS-AT-2819	DS-PG-2819	DS-PT-2819
280x190x180	DS-AG-2819-1	DS-AT-2819-1	DS-PG-2819-1	DS-PT-2819-1
380x190x130	DS-AG-3819	DS-AT-3819	DS-PG-3819	DS-PT-3819
380x190x180	DS-AG-3819-1	DS-AT-3819-1	DS-PG-3819-1	DS-PT-3819-1
280x280x130	DS-AG-2828	DS-AT-2828	DS-PG-2828	DS-PT-2828
380x280x130	DS-AG-3828	DS-AT-3828	DS-PG-3828	DS-PT-3828
380x280x180	DS-AG-3828-1	DS-AT-3828-1	DS-PG-3828-1	DS-PT-3828-1
560x380x180	DS-AG-5638	DS-AT-5638	DS-PG-5638	DS-PT-5638
560x380x265	DS-AG-5628	DS-AT-5628	DS-PG-5628	DS-PT-5628

温度 Temperature	AG(ABS)	PG(PC/ABS)	PCC(PBT/PC)	Clear cover (Polycarbonate)
短时间 Shorttime	-40°C~+100°C	-40°C~+90°C	-40°C~+100°C	-40°C~+132°C
连续 Continuous	-40°C~+80°C	-40°C~+85°C	-40°C~+75°C	-40°C~+130°C

WATERPROOF BOX(METAL CLASP) DS-AGH 防水箱(金属搭扣)



IP66
PROTECTION
DEGREE

EUROPEAN WATERPROOF ELECTRICAL BOX (CONCEALED HINGE) SP-PC 欧式防水电气箱(内铰链)



IP66
PROTECTION
DEGREE

产品特性 PRODUCT FEATURES

- 采用高强度ABS、PC材料制成，重量只有铁制箱子的1/4左右，便于搬运和操作，耐腐蚀，绝缘性佳。
- 产品经过严格的品质检测，其防水、防尘等级达到IP66（检测报告备案）。
- 适用于机场、地铁站、按钮盒、小型终端机、信号机箱、继电器、传感器、通信接线盒等设备。
- It is made from high strength ABS/PC material, weights about 1/4 of the metal box, easy handling and operating, corrosion resistance, good insulation.
- The product has passed strict waterproof and dustproof test, it reach IP66.
- It can be used in airport, subway station, and it can be pushbutton box, terminal box, signal box, relays box, sensor box and communication junction box and so on.

技术参数 TECHNICAL DATA

尺寸Size	ABS	PC/ABS	PC	PC
宽x高x深度(mm) WxHxD(mm)	灰色盖子 Solid cover	透明盖子 Clear cover	灰色盖子 Solid cover	透明盖子 Clear cover
190×190×130	DS-AGH-1919	DS-ATH-1919	DS-PGH-1919	DS-PTH-1919
280×190×130	DS-AGH-2819	DS-ATH-2819	DS-PGH-2819	DS-PTH-2819
280×190×180	DS-AGH-2819-1	DS-ATH-2819-1	DS-PGH-2819-1	DS-PTH-2819-1
380×190×130	DS-AGH-3819	DS-ATH-3819	DS-PGH-3819	DS-PTH-3819
380×190×180	DS-AGH-3819-1	DS-ATH-3819-1	DS-PGH-3819-1	DS-PTH-3819-1
280×280×130	DS-AGH-2828	DS-ATH-2828	DS-PGH-2828	DS-PTH-2828
380×280×130	DS-AGH-3828	DS-ATH-3828	DS-PGH-3828	DS-PTH-3828
380×280×180	DS-AGH-3828-1	DS-ATH-3828-1	DS-PGH-3828-1	DS-PTH-3828-1
560×380×180	DS-AGH-5638	DS-ATH-5638	DS-PGH-5638	DS-PTH-5638
560×380×265	DS-AGH-5628	DS-ATH-5628	DS-PGH-5628	DS-PTH-5628

温度	AG(ABS)	PG(PC/ABS)	PCC(PBT/PC)	Clear cover (Polycarbonate)
短时间 Shorttime	-40°C~+100°C	-40°C~+90°C	-40°C~+100°C	-40°C~+132°C
连续 Continuous	-40°C~+80°C	-40°C~+85°C	-40°C~+75°C	-40°C~+130°C

产品特性 PRODUCT FEATURES

- 采用高强度PC阻燃材料制成，外观美观大方，具有很高的可塑性和坚固性。
- 获得CE认证和ROHS认证。
- 适用于端子箱、配电板、仪器仪表盒、信号箱等设备。
- 防护等级：IP66
- 抗冲击力：IK08
- It is made of flame retardant PC materials that have a good exterior, excellent processing performance and strength.
- As a conventional plastic box, it is a popular product that is approved by various stand organization such as CE ,ROHS and Customer Association.
- It is convenient for the general & mechanical usages such as terminal box, measuring equipment box, gauge box, power distribution, control box, etc.
- Protection degree: IP66
- Degree of Protection against Mechanical Impact : IK08

技术参数 TECHNICAL DATA

型号 Model	尺寸(mm) Dimension(mm)	螺钉紧固数量(pcs) Fastening Screws(pcs)
SP-PC-283813	280*380*130	4
SP-PC-282816	280*280*160	4
SP-PC-383816	360*360*160	4
SP-PC-223316	220*330*160	6
SP-PC-304016	300*400*160	6
SP-PC-274616	270*460*160	6
SP-PC-305216	300*520*160	6
SP-PC-365416	360*540*160	6
SP-PC-506820	500*680*200	6
SP-PC-608022	600*800*220	6



IP66
PROTECTION
DEGREE

产品特性 PRODUCT FEATURES

- 采用高强度ABS、PC材料制成，重量只有铁制箱子的1/4左右，便于搬运和操作，耐腐蚀，绝缘性佳。
- 产品经过严格的品质检测，其防水、防尘等级达到IP66/IP67（检测报告备索）。
- 适用于机场、地铁站、按钮盒、小型终端机、信号机箱、继电器、传感器、通信接线盒等设备。
- It is made from high strength ABS/PC material, weights about 1/4 of the metal box, easy handling and operating, corrosion resistance, good insulation.
- The product has passed strict waterproof and dustproof test, it reach IP66/IP67.
- It can be used in airport, subway station, and it can be pushbutton box, terminal box, signal box, relays box, sensor box and communication junction box and so on.

技术参数 TECHNICAL DATA

型号 Model	尺寸 (mm) Size (mm)	型号 Model	尺寸 (mm) Size (mm)
SP-EU-0505	52*50*40	SP-EU-2412	244*124*97
SP-EU-0605	65*50*45	SP-EU-2015	201*151*80
SP-EU-0906	98*66*41	SP-EU-3415	340*150*101
SP-EU-0808	82*80*55	SP-EU-2416	244*164*90
SP-EU-1208	120*80*55	SP-EU-2516	250*160*90
SP-EU-1608	160*80*55	SP-EU-3616	360*160*101
SP-EU-1212	122*120*65	SP-EU-3620	360*200*151
SP-EU-1612	160*120*90	SP-EU-3023	300*230*87
SP-EU-2012	200*120*75	SP-EU-4036	400*360*151
SP-EU-2412	244*124*102		



IP66
PROTECTION
DEGREE

产品特性 PRODUCT FEATURES

- 采用高强度ABS、PC材料制成，重量只有铁制箱子的1/4左右，便于搬运和操作，耐腐蚀，绝缘性佳。
- 产品经过严格的品质检测，其防水、防尘等级达到IP66（检测报告备索）。
- 适用于机场、地铁站、按钮盒、小型终端机、信号机箱、继电器、传感器、通信接线盒等设备。
- It is made from high strength ABS/PC material, weights about 1/4 of the metal box, easy handling and operating, corrosion resistance, good insulation.
- The product has passed strict waterproof and dustproof test, it reach IP66.
- It can be used in airport, subway station, and it can be pushbutton box, terminal box, signal box, relays box, sensor box and communication junction box and so on.

技术参数 TECHNICAL DATA

型号 Model	宽x高x深(mm) WxHxD(mm)	型号 Model	宽x高x深(mm) WxHxD(mm)
SP-02-848256	84x82x56	SP-02-161690	160x160x90
SP-02-956575	95x65x75	SP-02-171411	170x140x110
SP-02-969660	96x96x60	SP-02-188085	180x80x85
SP-02-121260	120x120x60	SP-02-181360	180x130x60
SP-02-139357	130x93x57	SP-02-181390	180x130x90
SP-02-141460	145x145x60	SP-02-201511	200x150x115
SP-02-141490	145x145x90	SP-02-202014	200x200x145
SP-02-161660	160x160x60	SP-02-241411	248x148x115



IP66
PROTECTION
DEGREE

产品特性 PRODUCT FEATURES

- 采用高强度ABS、PC材料制成，重量只有铁制箱子的1/4左右，便于搬运和操作，耐腐蚀，绝缘性佳。
- 产品经过严格的品质检测，其防水、防尘等级达到IP65（检测报告备案）。
- 适用于机场、地铁站、按钮盒、小型终端机、信号机箱、继电器、传感器、通信接线盒等设备。
- It is made from high strength ABS/PC material, weights about 1/4 of the metal box, easy handling and operating, corrosion resistance, good insulation.
- The product has passed strict waterproof and dustproof test, it reach IP65.
- It can be used in airport, subway station, and it can be pushbutton box, terminal box, signal box, relays box, sensor box and communication junction box and so on.

技术参数 TECHNICAL DATA

型号	宽x高x深度(mm)	备注	型号	宽x高x深度(mm)	备注	型号	宽x高x深度(mm)	备注
Model	WxHxD(mm)	Remarks	Model	WxHxD(mm)	Remarks	Model	WxHxD(mm)	Remarks
SP-F1	200*120*75		SP-F11EH	380*260*140	高盖Higher Cover	SP-F1-2R	200*120*75	带耳With Flange
SP-F1L	200*120*56	低盖Lower Cover	SP-F11-3	380*260*70		SP-F1-6R	200*120*67	带耳With Flange
SP-F1H	200*120*113	高盖Higher Cover	SP-F11-4	380*260*85		SP-F2-2R	158*90*64	带耳With Flange
SP-F2	158*90*60		SP-F14	120*120*90		SP-F3-2R	115*90*55	带耳With Flange
SP-F2L	158*90*40	低盖Lower Cover	SP-F15	230*150*85		SP-F3-3R	115*90*70	带耳With Flange
SP-F3	115*90*55		SP-F15F	230*150*87	平盖Flat cover	SP-F4-1R	100*68*40	带耳With Flange
SP-F4	100*68*50		SP-F16	160*45*55		SP-F4-2R	100*68*50	带耳With Flange
SP-F5	160*160*90		SP-F17	150*70*47		SP-F5-2R	160*160*90	带耳With Flange
SP-F6	263*182*95		SP-F19-1	83*58*33		SP-F7R	158*90*46	带耳With Flange
SP-F6L	263*182*60	低盖Lower Cover	SP-F20	63*58*35		SP-F7-1R	158*90*60	带耳With Flange
SP-F6H	263*182*125	高盖Higher Cover	SP-F21	240*160*90		SP-F8R	115*85*35	带耳With Flange
SP-F9	280*195*135		SP-F21H	240*160*120	高盖Higher Cover	SP-F13R	120*81*65	带耳With Flange
SP-F9L	280*195*86	低盖Lower Cover	SP-F22	160*110*90		SP-F15-2R	230*150*87	带耳With Flange
SP-F10	320*240*110		SP-F24	192*188*100		SP-F19R	83*58*33	带耳With Flange
SP-F10L	320*240*60	低盖Lower Cover	SP-F25	83*81*56		SP-F20-2R	63*58*35	带耳With Flange
SP-F10H	320*240*140	高盖Higher Cover	SP-F34	290*210*60		SP-F24-2R	192*188*70	带耳With Flange
SP-F10EH	320*240*155	高盖Higher Cover	SP-F36	290*210*100		SP-K16R	52*100*125	带耳With Flange
SP-F11	380*260*105		SP-F50	300*280*140		SP-K11R	112*270*300	带耳With Flange
SP-F11H	380*260*120	高盖Higher Cover	SP-K2	120*170*250				



产品特性 PRODUCT FEATURES

- 防水、防尘、耐腐蚀、高强度绝缘。
- 适用于机场、地铁站、按钮盒、小型终端机、信号机箱、继电器、传感器、通信接线盒等设备。
- Waterproof, dustproof, anticorrosion, high-strength insulation
- It can be used in airport, subway station, and it can be pushbutton box, terminal box, signal box, relay box, sensor box and communication junction box and so on.

技术参数 TECHNICAL DATA

型号	长	宽	厚	备注
Model	L(mm)	W (mm)	H(mm)	Remarks
PBX01	68	68	50	
PBX02	105	68	50	可选颜色/Optional color
PBX03	135	68	50	黄色 Yellow
PBX04	165	68	50	白色 White

型号	长	宽	厚	备注
Model	L(mm)	W (mm)	H(mm)	Remarks
SBX01	68	68	54	
SBX02	106	68	54	可选颜色/Optional color
SBX03	137	68	54	灰色 Gray
SBX04	168	68	54	黄色 Yellow
SBX05	198	68	54	

CS-AG WATERPROOF JUNCTION BOX 防水接线盒



IP66
PROTECTION
DEGREE

产品特性 PRODUCT FEATURES

- 采用高强度ABS材料制成，重量只有铁制箱子的1/4左右，便于搬运和操作，耐腐蚀，绝缘性佳。
- 产品经过严格的品质检测，其防水、防尘等级达到IP65（检测报告备案）。
- 适用于机场、地铁站、按钮盒、小型终端机、信号机箱、继电器、传感器、通信接线盒等设备。
- It is made from high strength ABS/PC material, weights about 1/4 of the metal box, easy handling and operating, corrosion resistance, good insulation.
- The product has passed strict waterproof and dustproof test, it reach IP65.
- It can be used in airport, subway station, and it can be pushbutton box, terminal box, signal box, relays box, sensor box and communication junction box and so on.

技术参数 TECHNICAL DATA

型号 Model	宽x高x深度 WxHxD(mm)	螺钉紧固 Fastening Screws
CS-AG-101050	100x100x50	4
CS-AG-101080	100x100x80	4
CS-AG-120850	120x80x50	4
CS-AG-151170	150x110x70	4
CS-AG-151570	150x150x70	4
CS-AG-191470	190x140x70	4
CS-AG-241990	240x190x90	4
CS-AG-241912	240x190x125	4
CS-AG-302212	300x220x120	4
CS-AG-302217	300x220x170	4
CS-AG-383012	380x300x120	4
CS-AG-383017	380x300x170	4
CS-AG-463813	460x380x130	4

RS-AG JUNCTION BOX WITH RUBBER SEAL 防水接线盒(带橡胶塞)



IP66
PROTECTION
DEGREE

产品特性 PRODUCT FEATURES

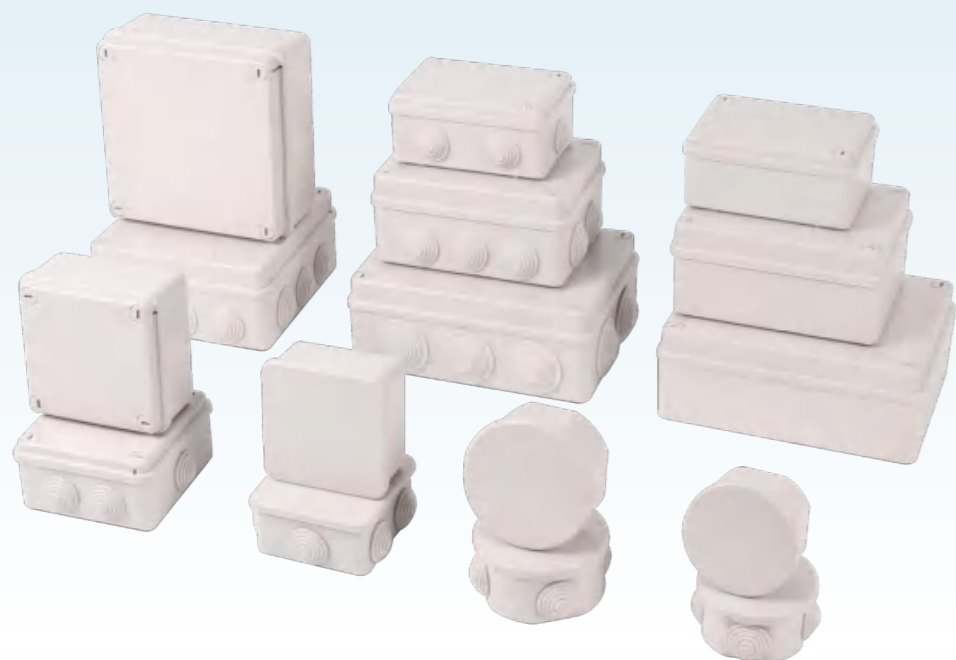
- 采用高强度ABS材料制成，重量只有铁制箱子的1/4左右，便于搬运和操作，耐腐蚀，绝缘性佳。
- 产品经过严格的品质检测，其防水、防尘等级达到IP65（检测报告备案）。
- 适用于机场、地铁站、按钮盒、小型终端机、信号机箱、继电器、传感器、通信接线盒等设备。
- It is made from high strength ABS/PC material, weights about 1/4 of the metal box, easy handling and operating, corrosion resistance, good insulation.
- The product has passed strict waterproof and dustproof test, it reach IP65.
- It can be used in airport, subway station, and it can be pushbutton box, terminal box, signal box, relays box, sensor box and communication junction box and so on.

技术参数 TECHNICAL DATA

型号 Model	尺寸(mm) Dimension(mm)	孔数 Number of holes	孔直径(mm) Hole diameter(mm)
RS-AG-6535	Φ65x35	4	23
RS-AG-8040	Φ80x40	4	23
RS-AG-808040	80x80x40	6	23
RS-AG-101050	100x100x50	6	23
RS-AG-128050	120x80x50	8	29
RS-AG-151170	150x110x70	10	29
RS-AG-151570	150x150x70	12	29
RS-AG-191470	190x140x70	10	37
RS-AG-241990	240x190x90	12	37
RS-AG-302212	300x220x120	12	48
RS-AG-383012	380x300x120	12	48

CS-NG WATERPROOF JUNCTION BOX

RS-NG 防水接线盒



IP66
PROTECTION
DEGREE

产品特性 PRODUCT FEATURES

- 采用高强度ABS材料制成，重量只有铁制箱子的1/4左右，便于搬运和操作，耐腐蚀，绝缘性佳。
- 产品经过严格的品质检测，其防水、防尘等级达到IP65（检测报告备案）。
- 适用于机场、地铁站、按钮盒、小型终端机、信号机箱、继电器、传感器、通信接线盒等设备。
- It is made from high strength ABS/PC material, weights about 1/4 of the metal box, easy handling and operating, corrosion resistance, good insulation.
- The product has passed strict waterproof and dustproof test, it reach IP65.
- It can be used in airport, subway station, and it can be pushbutton box, terminal box, signal box, relays box, sensor box and communication junction box and so on.

技术参数 TECHNICAL DATA

型号 Model	型号 (带堵头) Model (Sealing ring)	尺寸(mm) Dimension(mm)	螺钉紧固 Fastening Screws
CS-NG-6535	RS-NG-6535	Ø65*35	/
CS-NG-8040	RS-NG-8040	Ø80*40	/
CS-NG-808040	RS-NG-808040	80*80*40	/
CS-NG-101050	RS-NG-101050	100*100*50	4
CS-NG-120850	RS-NG-120850	120*80*50	4
CS-NG-151170	RS-NG-151170	150*110*70	4
CS-NG-151570	RS-NG-151570	150*150*70	4
CS-NG-191470	RS-NG-191470	190*140*70	4
CS-NG-241990	/	240*190*90	4
CS-NG-302212	/	300*220*120	4
CS-NG-383012	/	380*300*120	4

SP-D WATERPROOF TERMINAL JUNCTION BOX

SK 防水分线盒



IP66
PROTECTION
DEGREE

产品特性 PRODUCT FEATURES

- 壳体采用ABS材质，接线端子采用黄铜材质。
- 产品经过严格的品质检测，其防水、防尘等级达到IP66。
- 适用于室内、室外电气、通信、消防设备、钢铁冶炼，石油化工，电子、电力，铁路，建筑工地等设备。
- The case is made of ABS material, the metal part of the Terminal Blocks is made of Brass.
- The Product has passed waterproof and dustproof carried out under rigid quality standards.(IP 66)
- The use is also convenient for the installation of Terminal Substitution Rail, Button Box, Small Terminal, Signal, Relay and Sensor, Communication and joint Box etc.

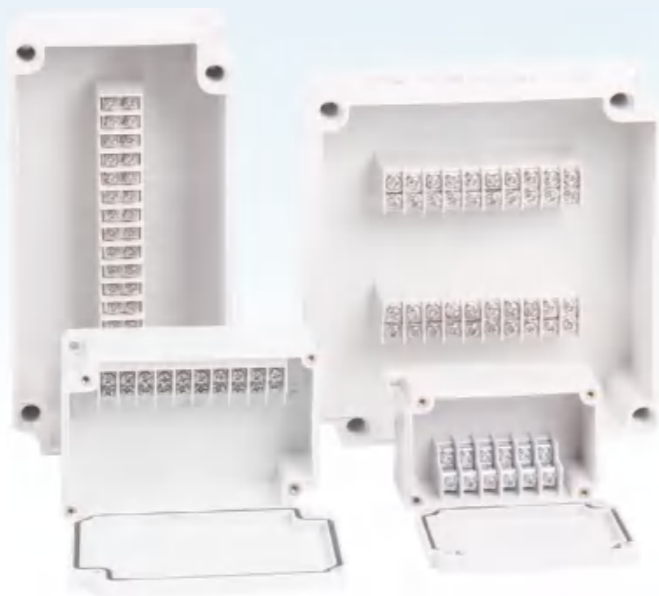
技术参数 TECHNICAL DATA

分线盒（不带预留孔）TERMINAL JUNCTION BOX(WITHOUT KNOCK-OFF HOLE)

型号 Model	宽x高x深度(mm) WxHxD(mm)	备注 Remarks
SP-D9020	88x88x53	
SP-D9025	88x88x53	带五位端子（可调节）With5 way Terminal(Angle adjustable)
SP-D9040	98x98x61	
SP-D9045	98x98x61	带五位端子（可调节）With5 way Terminal(Angle adjustable)
SP-D9060	139x119x70	
SP-D9065	139x119x70	带五位端子（可调节）With5 way Terminal(Angle adjustable)

分线盒（带有预留孔）TERMINAL JUNCTION BOX(WITH KNOCK-OFF HOLE)

型号 Model	宽x高x深度(mm) WxHxD(mm)	备注 Remarks
SK9100Z	167x125x82	
SK9105Z	167x125x82	内配端子 With Terminal
SK9250Z	200x160x98	
SK9255Z	200x160x98	内配端子 With Terminal



IP66
PROTECTION
DEGREE

产品特性 PRODUCT FEATURES

- 壳体采用ABS材质，接线端子采用黄铜材质。
- 产品经过严格的品质检测，其防水、防尘等级达到IP66。
- 适用于室内、室外电气、通信、消防设备、钢铁冶炼，石油化工，电子、电力，铁路，建筑工地等设备。
- The case is made of ABS material, the metal part of the Terminal Blocks is made of Brass.
- The Product has passed waterproof and dustproof carried out under rigid quality standards.(IP 66)
- The use is also convenient for the installation of Terminal Substitution Rail, Button Box, Small Terminal, Signal , Relay and Sensor , Communication and joint Box etc.

技术参数 TECHNICAL DATA

型号 Model	宽x高x深度(mm) WxHxD(mm)	备注 Remarks
DS-PC-4P	70x50x40	内置 4P 端子Built-in 4P Terminal
DS-PC-6P	83x54x40	内置 6P 端子Built-in 6P Terminal
DS-PC-10P	110x75x40	内置 10P 端子Built-in 10P Terminal

WATERPROOF BOX 防水箱



SAIPWELL ELEC.

Copyright © SaipWell ELEC. All Right Reserved Deliver happiness to everyone

PC WATERPROOF BOX SP-PCG PC防水箱



IP66
PROTECTION
DEGREE

产品特性 PRODUCT FEATURES

- 采用高强度PC材料制成，外观美观大方，具有很高的可塑性和坚固性。
- 获得CE认证和ROHS认证。
- 适用于端子箱、配电板、仪器仪表盒、信号箱等设备。
- 防护等级：IP66
- 抗冲击力：IK08
- It is made of PC and non-flammable materials that have a good exterior, excellent processing performance and strength.
- As a conventional plastic box, it is a popular product that is approved by various stand organization such as CE ,ROHS and Customer Association.
- It is convenient for the general & mechanical usages such as terminal box, measuring equipment box, gauge box, power distribution, control box, etc.
- Protection degree: IP66
- Degree of Protection against Mechanical Impact: IK08

PC料灰盖 PC GRAY COVER

型号 Model	宽x高x深度(mm) WxHxD(mm)	备注 Remarks
SP-PCG-302017	300x200x170	二个搭扣Two clasp
SP-PCG-403017	400x300x170	
SP-PCG-504020	500x400x200	三个搭扣Three clasp
SP-PCG-604022	600x400x220	

PC料透明盖 PC TRANSPARENT COVER

型号 Model	宽x高x深度(mm) WxHxD(mm)	备注 Remarks
SP-PCT-302017	300x200x170	二个搭扣Two clasp
SP-PCT-403017	400x300x170	
SP-PCT-504020	500x400x200	三个搭扣Three clasp
SP-PCT-604022	600x400x220	

塑料底板/金属底板 PLASTIC / GALVANIZED BASEPLATE

型号 Model	宽x高x深度(mm) WxHxD(mm)	备注 Remarks
SP-302017	169x273X2	塑料板 / 金属板 Plastic/galvanizedBaseplate
SP-403017	269x372X2	
SP-504020	368x472X2	
SP-604022	368x572X2	

镀锌中间门板 GALVANIZED MIDDLE DOOR

型号 Model	宽x高x深度(mm) WxHxD(mm)	备注 Remarks
SP-N-302017	171x271X2	金属板Plate metals
SP-N-403017	271x371X2	
SP-N-504020	371x471X2	
SP-N-604022	371x571X2	

ABS BUCKLE WATERPROOF BOX SP-MG ABS搭扣防水箱



IP66
PROTECTION
DEGREE

产品特性 PRODUCT FEATURES

- 采用高强度ABS、PC制成，外观美观大方，具有很高的可塑性和坚固性。
- 获得CE认证和ROHS认证。
- 适用于端子箱、配电板、仪器仪表盒、信号箱等设备。
- 防护等级：IP66
- 抗冲击力：IK08
- It is made of ABS, PC materials that have a good exterior, excellent processing performance and strength.
- As a conventional plastic box, it is a popular product that is approved by various stand organizations such as CE ,ROHS and Customer Association.
- It is convenient for the general & mechanical usages such as terminal box, measuring equipment box, gauge box, power distribution, control box, etc.
- Protection degree: IP66
- Degree of Protection against Mechanical Impact: IK08

技术参数 TECHNICAL DATA

型号Model	宽x高x深度(mm) WxHxD(mm)
灰盖 Solidcover	WxHxD(mm)
SP-MG-1016085	100x160x85
SP-MG-112009	110x200x90
SP-MG-1217085	125x175x85
SP-MG-151509	150x150x90
SP-MG-152010	150x200x100
SP-MG-152013	150x200x130
SP-MG-172510	170x250x100
SP-MG-192813	190x280x130
SP-MG-203015	200x300x150
SP-MG-211609	210x160x90
SP-MG-253615	250x360x150
SP-MG-304017	300x400x170
SP-MG-323214	320x320x140
SP-MG-374818	370x480x180
SP-MG-405020	400x500x200
SP-MG-426222	420x620x220

型号Model	宽x高x深度(mm) WxHxD(mm)
透明盖 Clearcover	WxHxD(mm)
SP-MT-1016085	100x160x85
SP-MT-112009	110x200x90
SP-MT-1217085	125x175x85
SP-MT-151509	150x150x90
SP-MT-152010	150x200x100
SP-MT-152013	150x200x130
SP-MT-172510	170x250x100
SP-MT-192813	190x280x130
SP-MT-203015	200x300x150
SP-MT-211609	210x160x90
SP-MT-253615	250x360x150
SP-MT-304017	300x400x170
SP-MT-323214	320x320x140
SP-MT-374818	370x480x180
SP-MT-405020	400x500x200
SP-MT-426222	420x620x220

SP-AG ABS WATERPROOF BOX WITH LOCKABLE ABS带锁防水箱



IP66
PROTECTION
DEGREE

产品特性 PRODUCT FEATURES

- 采用高强度ABS、PC材料制成，外观美观大方，具有很高的可塑性和坚固性。
- 获得CE认证。
- 适用于端子箱、配电板、仪器仪表盒、信号箱等设备。
- 防护等级：IP65
- 抗冲击力：IK08
- It is made of ABS, retardant PC materials that have a good exterior, excellent processing performance and strength.
- As a conventional plastic box, it is a popular product that is approved by various stand organization such as CE certification.
- It is convenient for the general & mechanical usages such as terminal box, measuring equipment box, gauge box, power distribution, control box, etc.
- Protection degree: IP65
- Degree of Protection against Mechanical Impact: IK08

技术参数 TECHNICAL DATA

型号 Model	宽x高x深度(mm) WxHxD(mm)	描述 Description
SP-AG-302016	300 × 200 × 160	材 料ABS/Material: ABS
SP-AG-403016	400 × 300 × 160	
SP-AG-504019	500 × 400 × 200	
SP-AG-604019	600 × 400 × 200	
SP-AG-605019	600 × 500 × 200	
SP-AT-302016	300 × 200 × 160	
SP-AT-403016	400 × 300 × 160	
SP-AT-504019	500 × 400 × 200	
SP-AT-604019	600 × 400 × 200	
SP-AT-605019	600 × 500 × 200	
SP-ATM-302016	300 × 200 × 160	透明上盖带内门 Body: ABS(gray) Door: Clear PC Mid-Door: ABS(gray)
SP-ATM-403016	400 × 300 × 160	
SP-ATM-501019	500 × 400 × 200	
SP-ATM-604019	600 × 400 × 200	
SP-ATM-605019	600 × 500 × 200	

SP-PHV PVC WATERPROOF BOX PVC防水箱



IP66
PROTECTION
DEGREE

产品特性 PRODUCT FEATURES

- 采用高强度PVC、ABS、PC材料制成，外观美观大方，具有很高的可塑性和坚固性。
- 适用于端子箱、配电板、仪器仪表盒、信号箱等设备。
- 防护等级：IP65
- 抗冲击力：IK08
- It is made of PVC, ABS, PC materials that have a good exterior, excellent processing performance and strength.
- It is convenient for the general & mechanical usages such as terminal box, measuring equipment box, gauge box, power distribution, control box, etc.
- Protection degree: IP65
- Degree of Protection against Mechanical Impact: IK08

技术参数 TECHNICAL DATA

型号 Model	宽x高x深度(mm) WxHxD(mm)	型号 Model	宽x高x深度(mm) WxHxD(mm)
SP-PHV-302013	300x200x130	SP-PHV-504015	500x400x150
SP-PHV-302018	300x200x180	SP-PHV-504018	500x400x180
SP-PHV-302022	300x200x220	SP-PHV-504022	500x400x220
SP-PHV-302026	300x200x260	SP-PHV-504026	500x400x260
SP-PHV-302030	300x200x300	SP-PHV-504030	500x400x300
SP-PHV-352513	350x250x130	SP-PHV-604015	600x400x150
SP-PHV-352518	350x250x180	SP-PHV-604018	600x400x180
SP-PHV-352522	350x250x220	SP-PHV-604022	600x400x220
SP-PHV-352526	350x250x260	SP-PHV-604026	600x400x260
SP-PHV-352530	350x250x300	SP-PHV-604030	600x400x300
SP-PHV-403013	400x300x130	SP-PHV-605015	600x500x150
SP-PHV-403018	400x300x180	SP-PHV-605018	600x500x180
SP-PHV-403022	400x300x220	SP-PHV-605022	600x500x220
SP-PHV-403026	400x300x260	SP-PHV-605026	600x500x260
SP-PHV-403030	400x300x300	SP-PHV-605030	600x500x300
SP-PHV-453513	450x350x130	SP-PHV-785815	780x580x150
SP-PHV-453518	450x350x180	SP-PHV-785818	780x580x180
SP-PHV-453520	450x350x220	SP-PHV-785822	780x580x220
SP-PHV-453526	450x350x260	SP-PHV-785826	780x580x260
SP-PHV-453530	450x350x300	SP-PHV-785830	780x580x300

WATERPROOF SWITCH BOX (METAL CLASP) SP-CAG 开关防水盒(金属搭扣)



IP66
PROTECTION
DEGREE

产品特性 PRODUCT FEATURES

- 采用高强度PC材料制成，重量只有铁制箱子的1/4左右，便于搬运和操作，耐腐蚀，绝缘性佳。
- 产品经过严格的品质检测，其防水、防尘等级达到IP66（检测报告备案）。
- 适用于机场、地铁站、按钮盒、小型终端机、信号机箱、继电器、传感器、通信接线盒等设备。

- It is made from high strength PC material, weights about 1/4 of the metal box, easy handling and operating, corrosion resistance, good insulation.
- The product has passed strict waterproof and dustproof test, it reach IP66.
- It can be used in airport, subway station, and it can be pushbutton box, terminal box, signal box, relays box, sensor box and communication junction box and so on.

技术参数 TECHNICAL DATA

尺寸(mm) Size (mm)	灰盖 Model	透明盖 Model	中门板 The inner	底板 Floor
100*150*90	SP-CAG-101590	SP-CAT-101590	/	SP-CDS-1015
150*150*90	SP-CAG-151590	SP-CAT-151590	/	SP-CDS-1515
125*175*90	SP-CAG-121790	SP-CAT-121790	SP-CA-1217	SP-CDS-1217
160*210*100	SP-CAG-162110	SP-CAT-162110	SP-CA-1621	SP-CDS-1621
175*275*110	SP-CAG-172711	SP-CAT-172711	SP-CA-1727	SP-CDS-1727
200*300*130	SP-CAG-203013	SP-CAT-203013	SP-CA-2030	SP-CDS-2030
250*350*150	SP-CAG-253515	SP-CAT-253515	SP-CA-2535	SP-CDS-2535
330*430*180	SP-CAG-334318	SP-CAT-334318	SP-CA-3343	SP-CDS-3343
430*530*200	SP-CAG-435320	SP-CAT-435320	SP-CA-4353	SP-CDS-4353
430*630*230	SP-CAG-436323	SP-CAT-436323	SP-CA-4363	SP-CDS-4363
530*730*250	SP-CAG-537325	SP-CAT-537325	SP-CA-5373	SP-CD-5373
630*830*280	SP-CAG-638328	SP-CAT-638328	SP-CA-6383	SP-CD-6383

WATERPROOF ELECTRICAL BOX SP-AZ 防水电气箱



IP66
PROTECTION
DEGREE

产品特性 PRODUCT FEATURES

- 采用高强度ABS材料制成，外观美观大方，具有很高的可塑性和坚固性。
- 获得CE认证和ROHS认证。
- 适用于端子箱、配电板、仪器仪表盒、信号箱等设备。
- 防护等级：IP66
- 抗冲击力：IK08

- It is made of ABS materials that have a good exterior, excellent processing performance and strength.
- As a conventional plastic box, it is a popular product that is approved by various stand organization such as CE ,ROHS and Customer Association.
- It is convenient for the general & mechanical usages such as terminal box, measuring equipment box, gauge box, power distribution, control box, etc.
- Protection degree: IP66
- Degree of Protection against Mechanical Impact : IK08

技术参数 TECHNICAL DATA

型号 Model	尺寸(mm) Dimension(mm)	型号 Model	尺寸(mm) Dimension(mm)
SP-AZ-272512	275*250*120	SP-AZ-403016	400*300*160
SP-AZ-302515	300*250*150	SP-AZ-503008	500*300*80
SP-AZ-302516	300*250*160	SP-AZ-503012	500*300*120
SP-AZ-322508	325*250*85	SP-AZ-552508	550*250*85
SP-AZ-322512	325*250*120	SP-AZ-602708	600*275*85
SP-AZ-353520	350*350*200	SP-AZ-606012	600*600*120
SP-AZ-403012	400*300*120		

ALUMINIUM WATERPROOF BOX

铸铝防水盒



SP-AG CAST ALUMINUM ENCLOSURE

铸铝防水盒



IP66
PROTECTION
DEGREE

产品特性 PRODUCT FEATURES

- 采用铝合金压铸成形，耐高温、防腐蚀，可在恶劣环境下使用。
- 表面处理：磨砂面（浅灰色）、光面（青灰色）
- 适用于端子箱、配电板、仪器仪表盒、信号箱、采矿场、沿海工厂、污水处理设施等环境。
- 防护等级：IP66
- Aluminum alloy die-casting forming, high temperature resistant, Corrosion-Proof, can be used in harsh environments.
- Surface Treatment: Frosting(light gray), smooth (steel grey).
- Applicable: Terminal box, Distribution Box, Instrument Box, Signal Junction Box, Stope, Coastal factories, Sewage Treatment Works and other environments.
- Protection: IP66.

技术参数 TECHNICAL DATA

表 1

型号 Model	宽x高x深度 WxHxD(mm)	备注 Remarks
SP-AG-FA1	64x58x35	四个螺丝/4PCS Screw
SP-AG-FA2	120x80x55	六个螺丝/6PCS Screw
SP-AG-FA2-1	120x80x55	四个螺丝/4PCS Screw
SP-AG-FA2-2	135x85x56	四个螺丝/4PCS Screw
SP-AG-FA2-3	125x80x58	四个螺丝/4PCS Screw
SP-AG-FA3	188x120x78	六个螺丝/6PCS Screw
SP-AG-FA3-1	188x120x78	四个螺丝/4PCS Screw
SP-AG-FA4	100x68x50	翻盖带四个螺丝/4 PCS Screw& WithHinge
SP-AG-FA5	222x145x55	六个螺丝/6PCS Screw
SP-AG-FA5-1	222x145x60	四个螺丝/4PCS Screw
SP-AG-FA6	222x145x75	六个螺丝/6PCS Screw
SP-AG-FA6-1	222x145x80	四个螺丝/4PCS Screw
SP-AG-FA7	111x64x37	四个螺丝/4PCS Screw
SP-AG-FA8	180x140x55	翻盖带四个螺丝(有窗、无窗)/4PCS Screw & With Hinge & Flange (Optional with window/withoutwindow)
SP-AG-FA9	90x36x31	四个螺丝/4PCS Screw
SP-AG-FA10	228x150x75	四个螺丝(有窗、无窗)/4 PCS Screw (Optional with window/without window)
SP-AG-FA10-2	228x150x85	四个螺丝/4PCS Screw
SP-AG-FA12	200x130x75	可带窗口(有窗、无窗)/4 PCS Screw (Optional with window/without window)
SP-AG-FA12-1	200x130x85	四个螺丝/4PCS Screw
SP-AG-FA13	185x135x85	四个螺丝/4PCS Screw


SAIPWELL ELEC.

Copyright © SaipWell ELEC. All Right Reserved Deliver happiness to everyone

技术参数 TECHNICAL DATA

续表 1

型号 Model	宽x高x深度 WxHxD(mm)	备注 Remarks
SP-AG-FA14	220x155x95	合页翻盖四角螺丝/4 PCS Screw& WithHinge
SP-AG-FA15	250x185x88	合页翻盖四角螺丝/4 PCS Screw& WithHinge
SP-AG-FA15-1	250x185x88	翻盖四角螺丝(有窗、无窗)/4 PCS Screw & With Hinge (Optional with window/withoutwindow)
SP-AG-FA16	280x185x80	合页翻盖四角螺丝/4 PCS Screw& WithHinge
SP-AG-FA18	80x76x57	四个螺丝/4PCS Screw
SP-AG-FA18-1	80x76x55	四个螺丝/4PCS Screw
SP-AG-FA20	175x80x56	四个螺丝/4PCS Screw
SP-AG-FA20-1	175x80x80	四个螺丝/4PCS Screw
SP-AG-FA21	250x80x64	四个螺丝/4PCS Screw
SP-AG-FA22	250x80x80	四个螺丝/4PCS Screw
SP-AG-FA24	115x65x55	四个螺丝/4PCS Screw
SP-AG-FA25	160x100x60	四个螺丝/4PCS Screw
SP-AG-FA25-1	165x95x39	四个螺丝/4PCS Screw
SP-AG-FA26	160x100x65	四个螺丝/4PCS Screw
SP-AG-FA29	150x100x80	四个螺丝/4PCS Screw
SP-AG-FA34	115x90x55	四个螺丝/4PCS Screw
SP-AG-FA34-1	115x90x60	合页翻盖四角螺丝/4 PCS Screw& WithHinge
SP-AG-FA36	250x120x82	四个螺丝/4PCS Screw
SP-AG-FA38	320x120x90	四个螺丝/4PCS Screw
SP-AG-FA40	360x160x95	四个螺丝/4PCS Screw
SP-AG-FA41	360x160x135	四个螺丝/4PCS Screw
SP-AG-FA43	100x100x60	四个螺丝/4PCS Screw
SP-AG-FA44	140x140x75	四个螺丝/4PCS Screw
SP-AG-FA58	145x100x45	四个螺丝/4PCS Screw
SP-AG-FA60	120x120x82	四角螺丝/4PCS Screw
SP-AG-FA61	160x160x70	四角螺丝/4PCS Screw
SP-AG-FA62	160x160x90	四角螺丝/4PCS Screw
SP-AG-FA62-1	160x160x86	合页翻盖四角螺丝/4 PCS Screw& WithHinge
SP-AG-FA63	240x160x75	四个螺丝/4PCS Screw
SP-AG-FA64	240x160x100	四角螺丝/4PCS Screw
SP-AG-FA65	265x185x80	四角螺丝/4PCS Screw
SP-AG-FA66	260x185x96	四角螺丝/4PCS Screw
SP-AG-FA67	260x185x128	四角螺丝/4PCS Screw
SP-AG-FA68	300x210x100	四角螺丝/4PCS Screw
SP-AG-FA69	300x210x130	四角螺丝/4PCS Screw
SP-AG-FA70	340x235x95	四个螺丝/4PCS Screw
SP-AG-FA70-1	340x235x95	合页翻盖四角螺丝/4 PCS Screw& WithHinge
SP-AG-FA71	340x235x120	四角螺丝/4PCS Screw
SP-AG-FA71-1	340x235x120	合页翻盖四角螺丝/4 PCS Screw& WithHinge
SP-AG-FA71-2	340x235x115	合页翻盖四角螺丝/4 PCS Screw& WithHinge
SP-AG-FA72	340x235x135	四角螺丝/4PCS Screw
SP-AG-FA72-1	340x235x135	合页翻盖四角螺丝/4 PCS Screw& WithHinge
SP-AG-FA73	340x235x160	四角螺丝/4PCS Screw
SP-AG-FA73-1	340x235x160	合页翻盖四角螺丝/4 PCS Screw& WithHinge
SP-AG-FA73-2	340x235x155	合页翻盖四角螺丝/4 PCS Screw& WithHinge
SP-AG-FA75	280*230*110	四角螺丝/4PCS Screw
SP-AG-FA75-1	280*230*110	合页翻盖四角螺丝/4 PCS Screw& WithHinge
SP-AG-FA76	400*260*110	四角螺丝/4PCS Screw
SP-AG-FA76-1	400*260*110	合页翻盖四角螺丝/4 PCS Screw& WithHinge
SP-AG-FA78	400*310*110	四角螺丝/4PCS Screw
SP-AG-FA78-1	400*310*110	合页翻盖四角螺丝/4 PCS Screw& WithHinge



产品特性 PRODUCT FEATURES

- 采用6063铝材挤压成型，耐高温、抗冲击、防腐蚀。
- 表面处理：阳极氧化处理或喷涂处理。
- 适用于通信、医学、光电、安防、电子、仪器仪表等行业。
- 颜色：常规为银色、黑色、金色，也可根据客户需求定制。
- 6063 aluminum extrusion production, high temperature resistant, shock resistance, Corrosion-Proof.
- Surface Treatment: Anodic oxidation or Spraying.
- Applicable: communications, medical, photoelectric, security, electronics, instrumentation and other industries.
- Color: Silver, black, gold, can also be customized.

技术参数 TECHNICAL DATA

型号 Model	宽x高x深度(mm) WxHxD(mm)	型号 Model	宽x高x深度(mm) WxHxD(mm)
SP-AD-1	36x147x155	SP-AD-11	40x97x100
SP-AD-2	61x147x155	SP-AD-12	27x76x100
SP-AD-3	46x190x155	SP-AD-13	46x76x100
SP-AD-4	71x190x155	SP-AD-14	29x89x100
SP-AD-5	75x150x160	SP-AD-15	36x86x100
SP-AD-6	48x148x130	SP-AD-16	26x54x100
SP-AD-7	40x89x100	SP-AD-17	21x104x100
SP-AD-8	32x70x100	SP-AD-18	35x73x100
SP-AD-9	35x65x100	SP-AD-19	60x82x110
SP-AD-23	35x76x100	SP-AD-21	34x58x100
SP-AD-24	46x76x100	SP-AD-22	44x65x100
SP-AD-36	20x61x100	SP-AD-27	36x121x155
SP-AD-39	24x69x100	SP-AD-29	38x147x155
SP-AD-398	31x50x65	SP-AD-100	100x160x200
SP-AD-60	60x200x200	SP-AD-101	100x200x200
SP-AD-60-1	60x250x200	SP-AD-102	100x250x200
SP-AD-60-2	60x300x200	SP-AD-103	100x300x250
SP-AD-60黑	60x200x200	SP-AD-104	100x300x160
SP-AD-10	57x75x100		



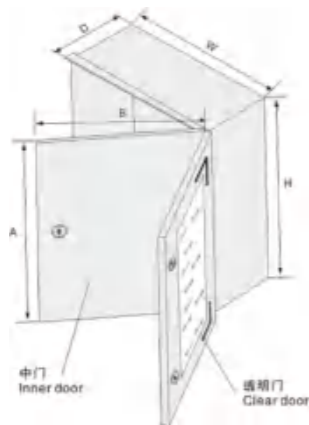
IP66
PROTECTION
DEGREE

产品特性 PRODUCT FEATURES

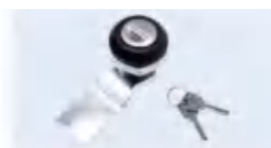
SMC系列是新型的开关箱，它由玻璃纤维强化多元酯所制造，防水等级达到IP66、抗冲击力达到IK8等级。多元酯的特性是它本身混合30%玻璃纤维来强化，使它达到一个高电阻和机械刚度(IK8)。

同金属箱相比，SMC系列重量只有金属箱的1/3、更适应腐蚀、潮湿的环境等优点。

◆ Material: Fiberglass/(SMC) ◆ Color: RAL7035 ◆ Protection degree: IP66 ◆ Working temperature: -40°C to +120°C ◆ Mechanical impact: IK08



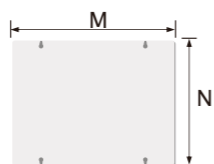
标准锁 Standard lock
型号 Model: MS-01
包装 Package: 1pc



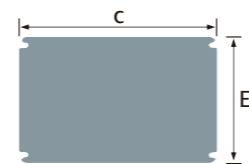
钥匙锁 Key lock
型号 Model: MS705
包装 Package: 1pc



安装支架 Wall mount brackets
型号 Model: SPX-01 包装 Package: 4pcs/set



环氧树脂安装底板
Polyester mounting plate



铁安装底板
Steel mounting plate

技术参数 TECHNICAL DATA

玻璃纤维箱 Polyester box (fiberglass box)				内门 Inner door			环氧树脂安装底板 Polyester mounting plate			铁安装底板 Steel mounting plate			
型号 Model	Dimension (mm)			型号 Model	Dimension (mm)		Dimension (mm)			Dimension (mm)			
灰门 Grey door	透明门 Clear door	W	H	D	中门 Inner door	A	B	型号 Model	M	N	型号 Model	C	E
SMC-302514	SMT-302514	250	300	140				PM-325	221	238	SM-325	263	201
SMC-403020	SMT-403020	300	400	200	ID-43	364	245	PM-43	311	286	SM-43	353	245
SMC-404020	SMT-404020	400	400	200	ID-44	364	345	PM-44	308	386	SM-44	349	345
SMC-504020	SMT-504020	400	500	200	ID-54	464	345	PM-54	408	386	SM-54	453	345
SMC-604023	SMT-604023	400	600	230	ID-64	564	345	PM-64	511	386	SM-64	553	345
SMC-605023	SMT-605023	500	600	230	ID-65	564	445	PM-65	508	486	SM-65	553	447
SMC-806030	SMT-806030	600	800	300	ID-86	764	545	PM-86	706	581	SM-86	749	540

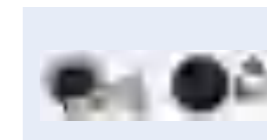


IP66
PROTECTION
DEGREE

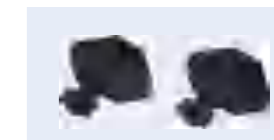
产品特性 PRODUCT FEATURES

产品用于仪器仪表或自动化领域，机箱表面预留贴膜区，机箱盖和机箱底预留螺孔，便于安装印刷电路板或者DIN导轨，易加工，可选配多种附件。

Enclosures made of Aluminums, Plastic and Glass-fiber reinforced polyester, as well as machine control panels and suspension systems protect sensitive electronics in a wide range of industrial applications.



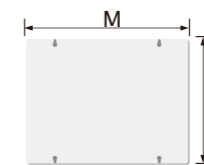
锁 Lock



钥匙 Key



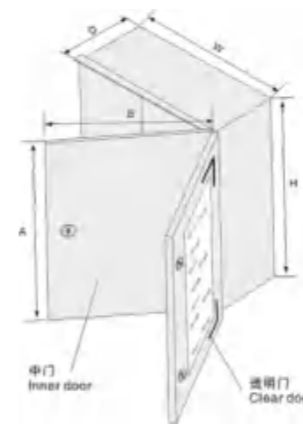
调节支架 Adjustable support



环氧树脂安装底板
Polyester mounting plate



铁安装底板
Steel mounting plate



技术参数 TECHNICAL DATA

型号 Model	宽x高x深度 (mm) HxWxD (mm)	说明 Description
SP-DMC-302415	300 × 240 × 150	箱体材料: DMC 安装板: 铁板 Box Material: DMC Fix plate: steel
SP-DMC-413116	418 × 318 × 162	
SP-DMC-504320	500 × 430 × 200	
SP-DMC-655025	650 × 500 × 250	



IP54
PROTECTION
DEGREE

箱体特点 BOX FEATURES

- 箱体构件由全绝缘的高分子复合材料(SMC)经高温模压成型
- 箱体构件为模压成型, 积木式拼装结构, 所以尺寸精度高、安装方便。
- 优良的绝缘性能。箱体为全绝缘结构, 无需增设接地系统。
- 材料本身优良的隔热性能, 加上特殊的通风结构设计, 可以有效的防止箱体内部凝露、凝霜发生的可能。
- 优良的耐化学腐蚀性能, 能有效抵抗弱酸、弱碱、盐雾、雨水的腐蚀。
- 优良的抗老化性能。在材料内添加防紫外线元素处理, 使得箱体更加耐用, 使用寿命长。
- 全封闭的结构, 独特的防尘设计, 防护等级达到IP44甚至IP54。

- Box parts are high temperature pressure formed with completely insulating polymer composite materials(SMC).
- Box parts is pressure formed, modular construction, with high dimensional precision and convenient installation.
- Excellent insulation property. The box is completely insulating structure, no need adding earthing system.
- Excellent heat-shielding performance and special ventilation structure design prevent box inside from condensation and glazed frost.
- Excellent corrosion proof properties withstand dilute acid, base, salt and rain corrosion
- Excellent aging resistance property adding substance withstanding ultraviolet ray in the material makes the box more durable and longer life.
- Completely sealed structure and special protection design make protection class up to IP44,IP54.

技术参数 TECHNICAL DATA

型号 Model	宽x高x深度(mm) WxHxD(mm)	型号 Model	宽x高x深度(mm) WxHxD(mm)
PDB-SMC-608632	600x865x320	PDB-SMC-601232	600x1250x320
PDB-SMC-806532	800x650x320	PDB-SMC-801232	800x1250x320
PDB-SMC-108632	1000x865x320	PDB-SMC-101232	1000x1250x320
PDB-SMC-128632	1200x865x320	PDB-SMC-121232	1200x1250x320
PDB-SMC-601032	600x1015x320	PDB-SMC-801248	800x1250x485
PDB-SMC-801032	800x1015x320	PDB-SMC-101248	1000x1250x485
PDB-SMC-101032	1000x1015x320	PDB-SMC-601064	600x1065x640
PDB-SMC-121032	1200x1015x320	PDB-SMC-801064	800x1065x640
PDB-SMC-801048	800x1015x485	PDB-SMC-101064	1000x1065x640
PDB-SMC-101048	1000x1015x485	PDB-SMC-121064	1200x1065x640
PDB-SMC-601132	600x1100x320	PDB-SMC-141064	1400x1065x640
PDB-SMC-801132	800x1100x320	PDB-SMC-607060	600x700x600
PDB-SMC-101132	1000x1100x320	PDB-SMC-801350	800x1370x500
PDB-SMC-121132	1200x1100x320	PDB-SMC-121350	1200x1370x500

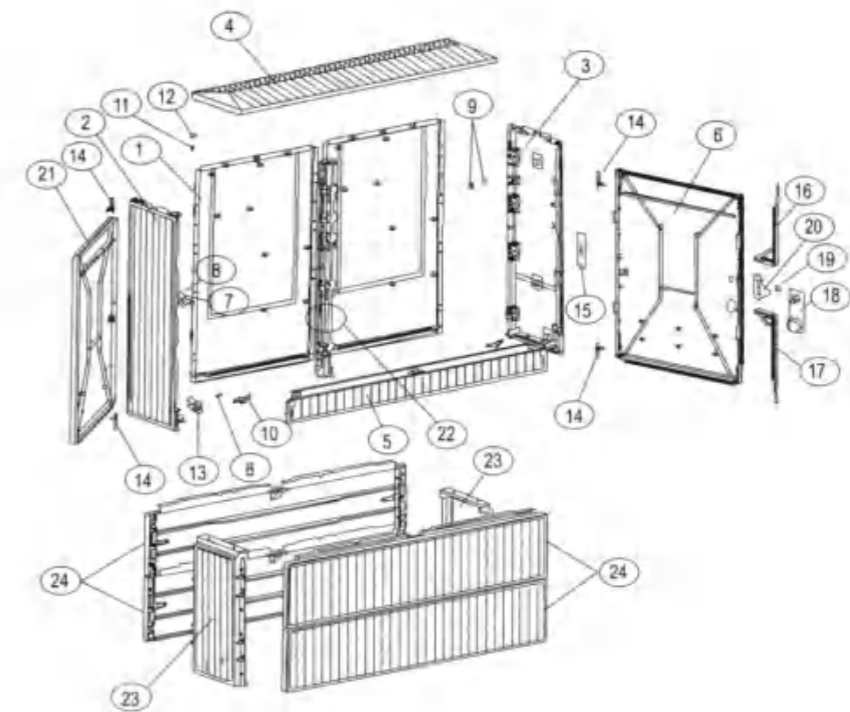
箱体尺寸 DIMENSION

型号 Model	宽x高x深度(mm) WxHxD(mm)	型号 Model	宽x高x深度(mm) WxHxD(mm)
PDB-SMC-816497	810x640x970	PDB-SMC-126497	1200x640x970
PDB-SMC-966032	960x600x320	PDB-SMC-156497	1500x640x970
PDB-SMC-978164	970x810x640	PDB-SMC-176497	1700x640x970
PDB-SMC-116032	1140x600x320	PDB-SMC-196497	1900x640x970
PDB-SMC-126032	1200x600x320		

构件列表 COMPONENTS LIST

编号 NO.	名称 Name	编号 NO.	名称 Name
1	后板 Rack plate	13	门锁扣 Door Lock Catch
2	左侧板 Left Plate	14	铰链栓 Hinge Hitch
3	右侧板 Right Plate	15	闪电标志 Lightning Symbol
4	顶板 Top Plate	16	上滑动部件 Upper Sliding Part
5	活动板 Movable Plate	17	下滑动部件 Under Sliding Part
6	左门板 Left Door Plate	18	门锁 Door Lock
7	门锁扣 Door Lock Catch	19	门锁防滑片 Door Lock Antislip Piece
8	螺钉 Screw	20	锁舌 Lock Bolt
9	方形螺母 Square Nut	21	左门板 Left Door Plate
10	分段卡扣锁 Section Lock Catch	22	后板连接件 Back Plate Connecting Piece
11	顶板螺钉 Top Plate Screw	23	底座右侧板 Base Right Plate
12	垫片 Pad	24	底座前后板 Base Front Back Plate

箱体分解图 BOX EXPLODED DIAGRAM





IP66
PROTECTION
DEGREE

产品特性 PRODUCT FEATURES

- 采用SMC材料压制成型，盒子底部均有固定安装孔，安装孔的大小与盖子螺丝相同大。
- 产品经过严格的品质检测，其防水、防尘等级达到IP66，搞冲击强度IK10。
- 适用于机场、地铁站、按钮盒、小型终端机、信号机箱、继电器、传感器、通信接线盒等设备。
- SMC material is used for pressing and molding. There are fixed mounting holes at the bottom of the box. The size of the mounting holes is the same as that of the cover screw.
- The product has passed strict waterproof and dustproof test, it reach IP66.
- It can be used in airport, subway station, and it can be pushbutton box, terminal box, signal box, relays box, sensor box and communication junction box and so on.

技术参数 TECHNICAL DATA

型号 Model	宽x高x深度 WxHxD(mm)	型号 Model	宽x高x深度 WxHxD(mm)
SW-MC-108574	107X85X74	SW-MC-362212	360X220X120
SW-MC-148574	139X85X74	SW-MC-362217	360X220X170
SW-MC-188574	185X85X74	SW-MC-362222	360X220X220
SW-MC-238574	233X85X74	SW-MC-363612	360X360X120
SW-MC-131386	130X130X86	SW-MC-363617	360X360X170
SW-MC-141110	140X110X100	SW-MC-363622	360X360X220
SW-MC-151512	150X150X120	SW-MC-423016	420X300X160
SW-MC-221312	220X130X120	SW-MC-423019	420X300X190
SW-MC-221512	225X150X120	SW-MC-453316	450X330X160
SW-MC-221516	225X150X160	SW-MC-453324	450X330X240
SW-MC-261812	260X180X120	SW-MC-524022	520X400X220
SW-MC-302212	300X220X120	SW-MC-724216	720X420X160
SW-MC-332212	330X225X120	SW-MC-724224	720X420X240

WATERPROOF DISTRIBUTION BOX 防水配电箱



SAIPWELL ELEC.

Copyright © SaipWell ELEC. All Right Reserved Deliver happiness to everyone

GDB WATERPROOF DISTRIBUTION BOX 防水配电箱



产品特性 PRODUCT FEATURES

- 适用于防水、防尘、防腐蚀等特殊场合。
- 符合标准:IEC60529,EN 60309,IP65
- It is applicable for special waterproof, dustproof and corrosion-proof locations.
- Executive standard: IEC60529,EN 60309,IP65

GDB系列 WATERPROOF DISTRIBUTION BOX-GDB SERIES (IP65)



型号 Model	长x宽x高(mm) LxWxH(mm)	断路器可安装数 No.of breakers(pcs)	材质 Material
GDB-06	200×165×100	6 ways	聚碳 PC
GDB-09	200×219×100	9ways	
GDB-12	230×273×110	12 ways	



型号 Model	长x宽x高(mm) LxWxH(mm)	断路器可安装数 No.of breakers(pcs)	材质 Material
GDB-18	230×381×110	18ways	聚碳 PC
GDB-24	380×273×110	24ways	
GDB-36	380×381×110	36ways	

SHT SHA WATERPROOF DISTRIBUTION BOX 防水配电箱



SHT系列 WATERPROOF DISTRIBUTION BOX-SHT SERIES(IP65)



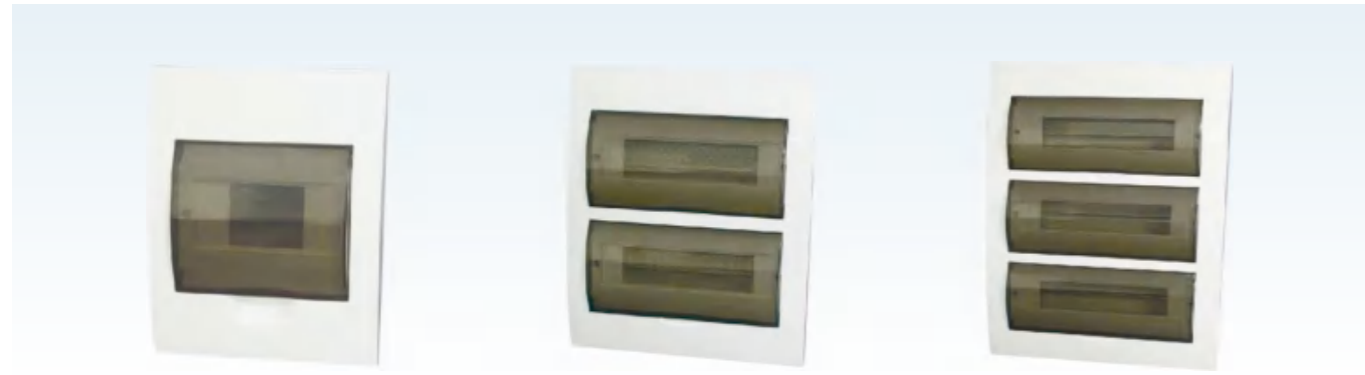
型号 Model	长x宽x高(mm) LxWxH(mm)	断路器可安装数 No.of breakers(pcs)
SHT-5	150×110×90	2-5
SHT-8	195×145×90	8
SHT-12	250×195×110	12
SHT-15	300×190×110	15
SHT-18	350×190×110	18
SHT-24	350×270×110	24

SHA系列 WATERPROOF DISTRIBUTION BOX SHA SERIES(IP65)



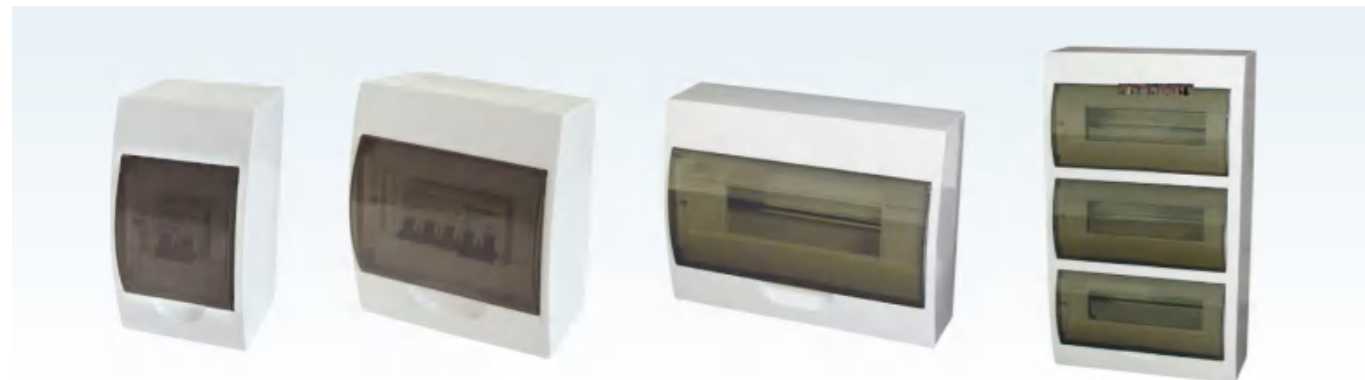
型号 Model	长x宽x高(mm) LxWxH(mm)	断路器可安装数 No.of breakers(pcs)
SHA-4	140X208X95	2-5
SHA-8	212X208X95	8
SHA-12	295X255X130	12
SHA-18	410X280X130	18
SHA-24	420X295X130	24

AN-TSM暗装系列 DISTRIBUTION BOX AN-TSM SERIES(FLUSH)



铁底座 Iron Base Dimension		塑料底座 Plastics Base Dimension	
型号 Model	长x宽x高LxWxH(mm)	型号 Model	长x宽x高LxWxH(mm)
AN-TSM-2	99×140×60	AN-TSM-2ways	90×140×60
AN-TSM-4	107×190×85	AN-TSM-4ways	112×200×66
AN-TSM-6	143×190×85	AN-TSM-6ways	150×200×66
AN-TSM-8	179×190×85	AN-TSM-8ways	184×200×66
AN-TSM-10	222×200×85	AN-TSM-10ways	222×200×66
AN-TSM-12	250×190×85	AN-TSM-12ways	256×200×66
AN-TSM-15	306×190×85	AN-TSM-15ways	310×200×66
AN-TSM-18	361×217×85	AN-TSM-18ways	365×220×76
AN-TSM-24	252×310×85	AN-TSM-24ways	257×310×76
AN-TSM-36	290×475×85	AN-TSM-36ways	293×455×76
AN-TSM-45	473×326×76	AN-TSM-45ways	473×326×76

MIN-TSM明装系列 DISTRIBUTION BOX MIN-TSM SERIES(SURFACE)



型号 Model	长(mm) L(mm)	宽(mm) W(mm)	高(mm) H(mm)
MIN-TSM-2	90	140	60
MIN-TSM-4	112	210	100
MIN-TSM-6	148	210	100
MIN-TSM-8	184	210	100
MIN-TSM-10	222	210	100
MIN-TSM-12	256	210	100
MIN-TSM-15	312	210	100
MIN-TSM-18	364	222	100
MIN-TSM-24	270	325	100
MIN-TSM-36	305	473	100
MIN-TSM-45	473	326	100

SHK系列 WATERPROOF DISTRIBUTION BOX-SHK SERIES (IP65)



型号 Model	长x宽x高(mm) LxWxH(mm)	断路器可安装数 No.of breakers(pcs)
SHK2-5	140×140×105	2-5
SHK-8	185×185×105	8
SHK-12	270×195×105	12
SHK-18	370×195×105	18

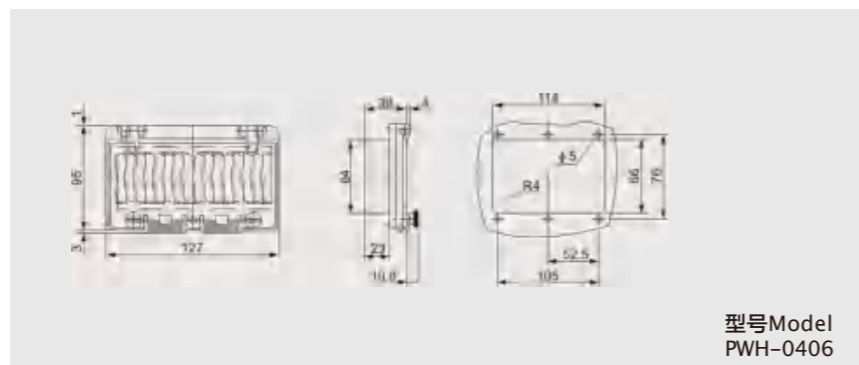
透明保护窗罩 TRANSPARENT PROTECTION WINDOW HOOD

产品图片 Product photo	窗口产品外形尺寸、安装孔及孔位图 Outline dimension, mounting hole and hole position diagram of window product
	<p>型号Model PWH-0402</p>
	<p>型号Model PWH-0404</p>

产品图片
Product photo



窗口产品外形尺寸、安装孔及孔位图
Outline dimension, mounting hole and hole position diagram of window product

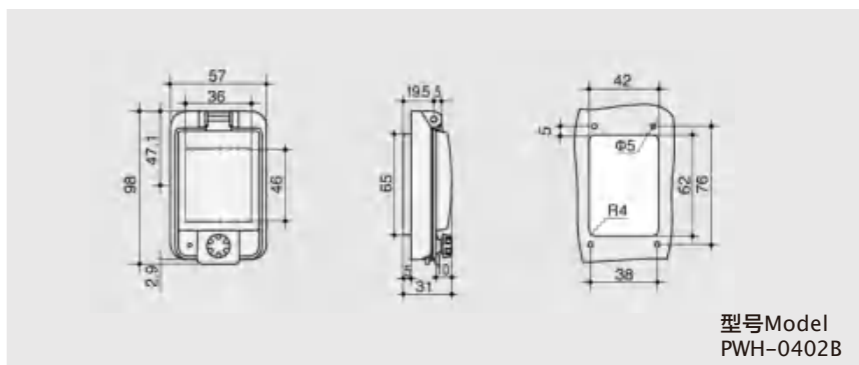


型号Model
PWH-0406

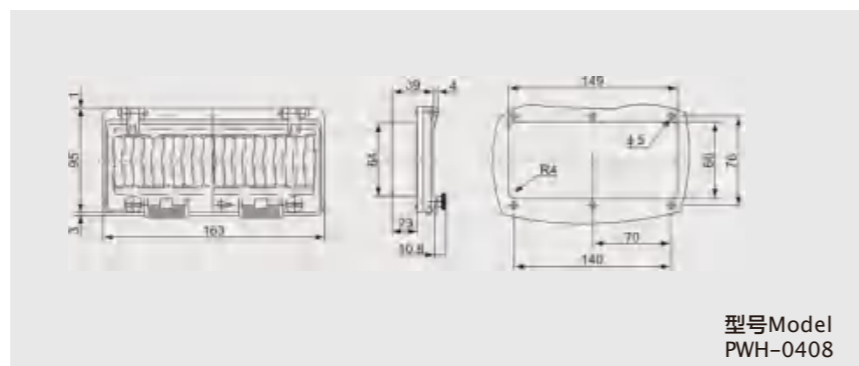
产品图片
Product photo



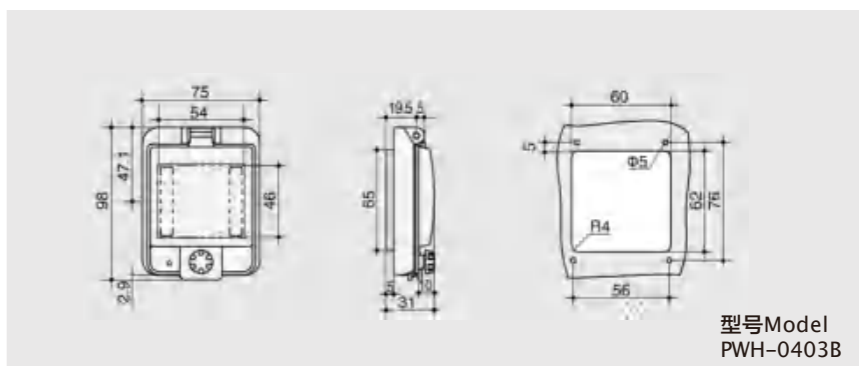
窗口产品外形尺寸、安装孔及孔位图
Outline dimension, mounting hole and hole position diagram of window product



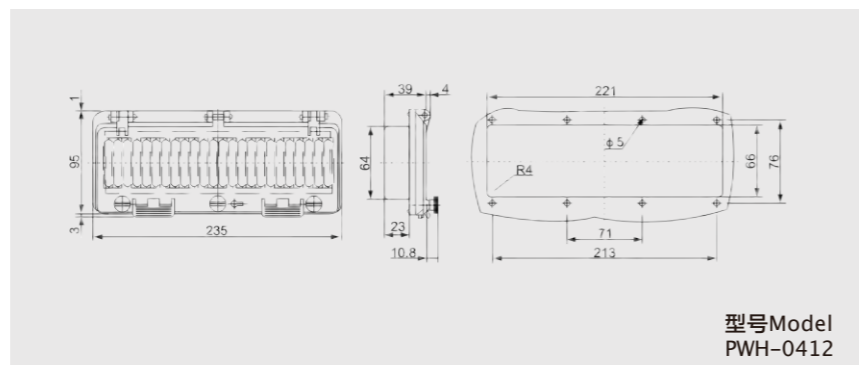
型号Model
PWH-0402B



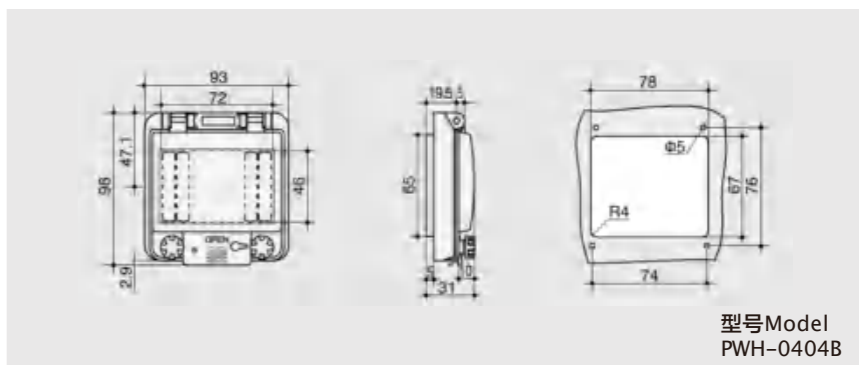
型号Model
PWH-0408



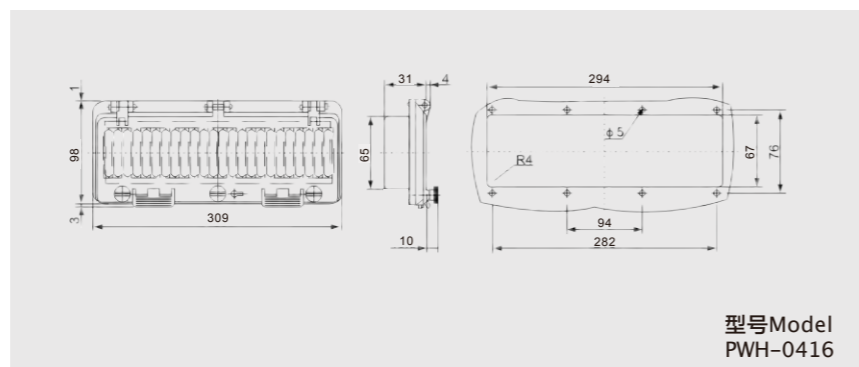
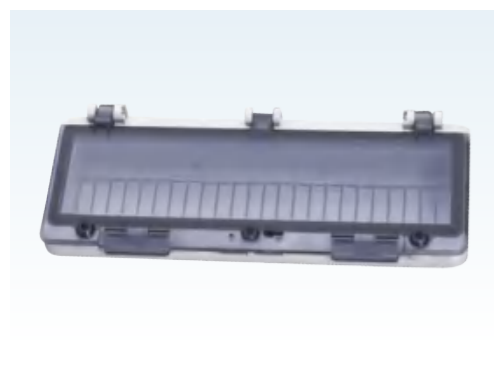
型号Model
PWH-0403B



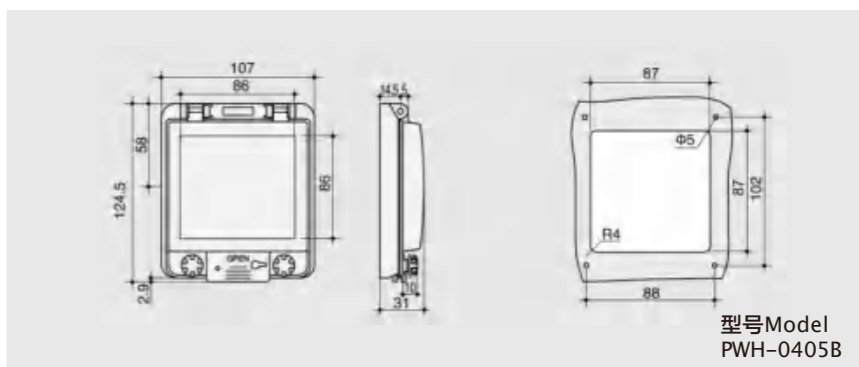
型号Model
PWH-0412



型号Model
PWH-0404B



型号Model
PWH-0416



型号Model
PWH-0405B

PWH TRANSPARENT PROTECTION WINDOW HOOD
透明保护窗罩



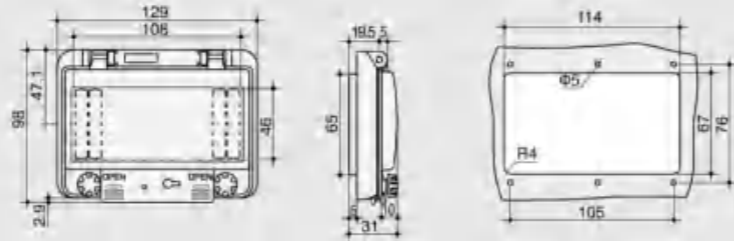
PWH TRANSPARENT PROTECTION WINDOW HOOD
透明保护窗罩



产品图片
Product photo



窗口产品外形尺寸、安装孔及孔位图
Outline dimension, mounting hole and hole position diagram of window product

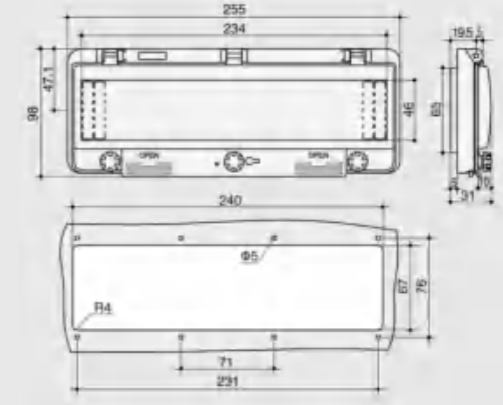


型号Model
PWH-0406B

产品图片
Product photo

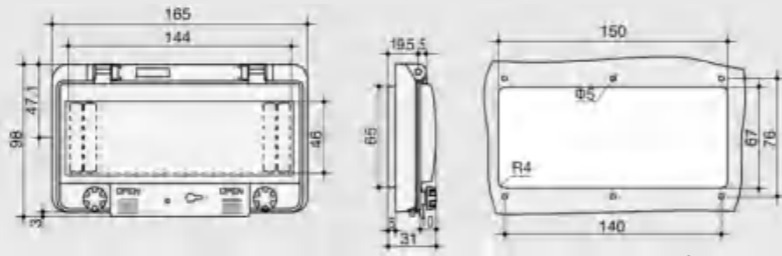


窗口产品外形尺寸、安装孔及孔位图
Outline dimension, mounting hole and hole position diagram of window product



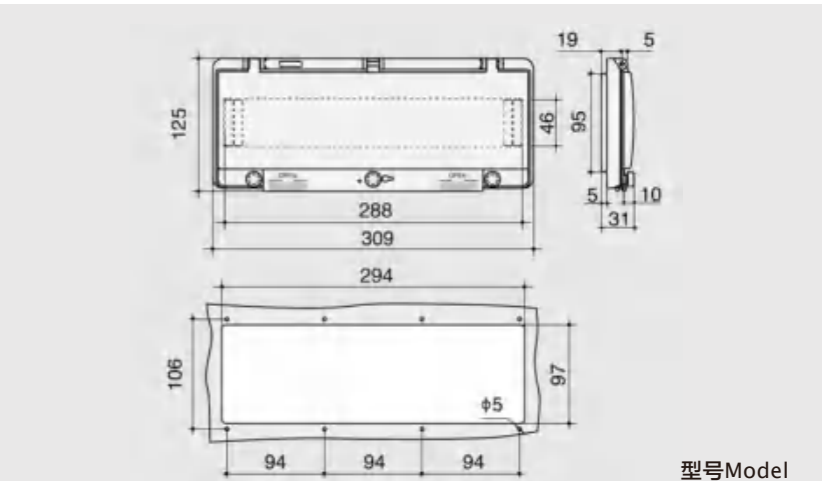
型号Model
PWH-0416A

产品图片
Product photo



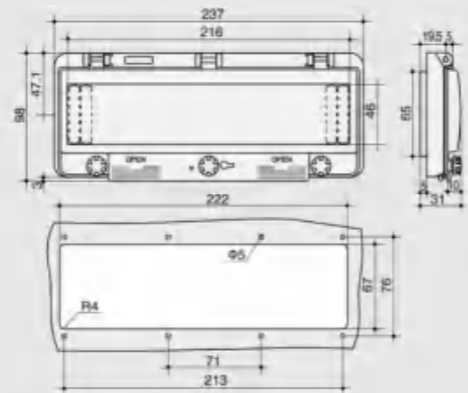
型号Model
PWH-0408B

产品图片
Product photo



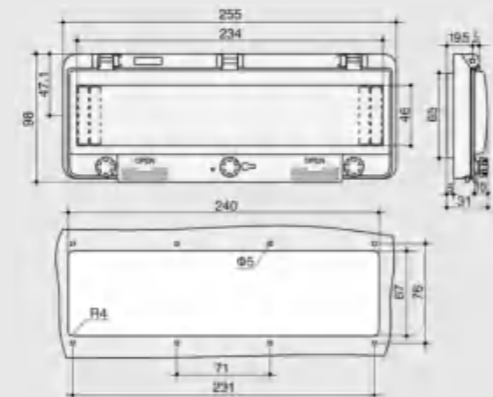
型号Model
PWH-0416B

产品图片
Product photo

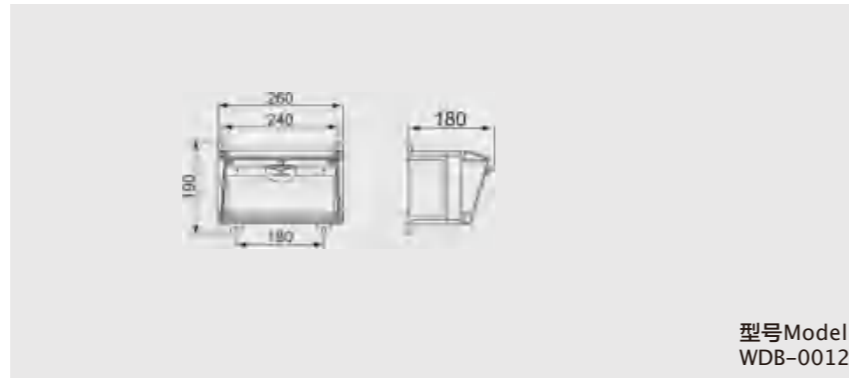


型号Model
PWH-0412B

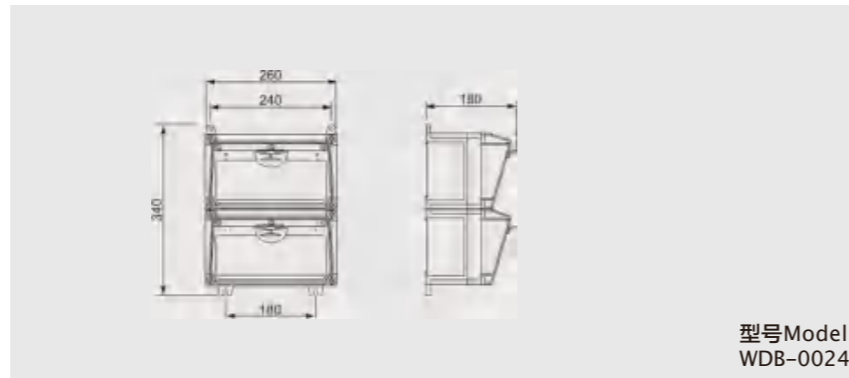
产品图片
Product photo



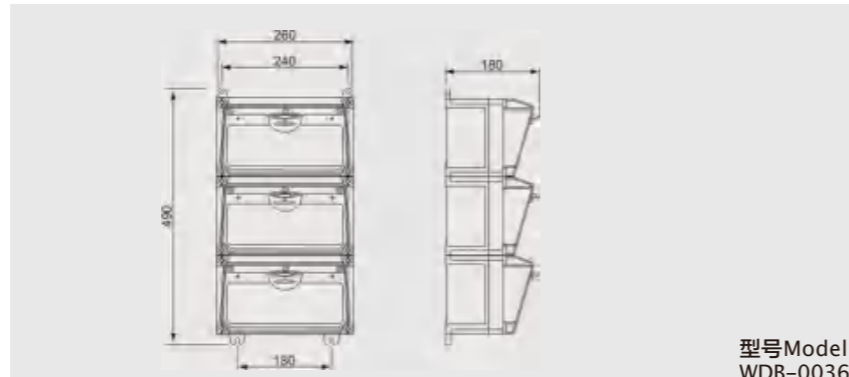
型号Model
PWH-0413B



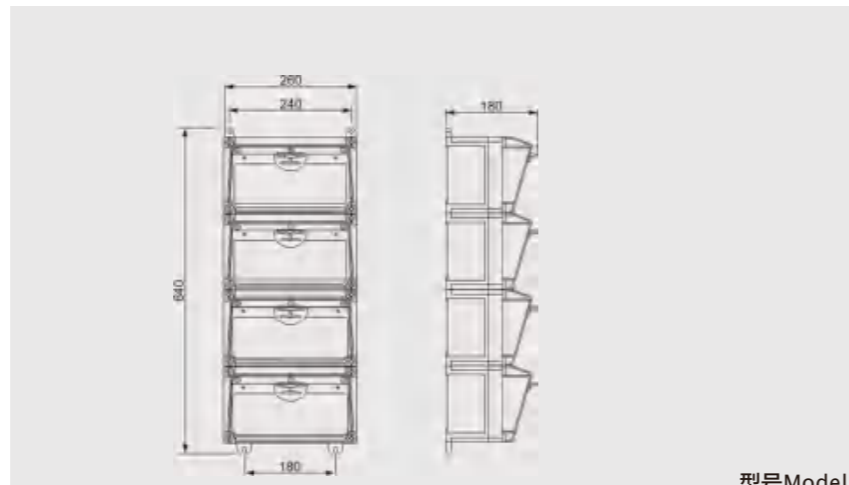
型号Model
WDB-0012



型号Model
WDB-0024



型号Model
WDB-0036



型号Model
WDB-0048

- 防水、防尘、耐腐蚀、高强度绝缘。可根据用户需求随意开孔，规格齐全，安装方便。
- 执行标准：IEC60529,EN60309,IP65
- Waterproof,dustproof,anticorrosion,highstrength insulation Any opening is available according to the customers' demands,it is very complete in specification and convenient in installation.
- Executive standard: IEC60529,EN60309,IP65



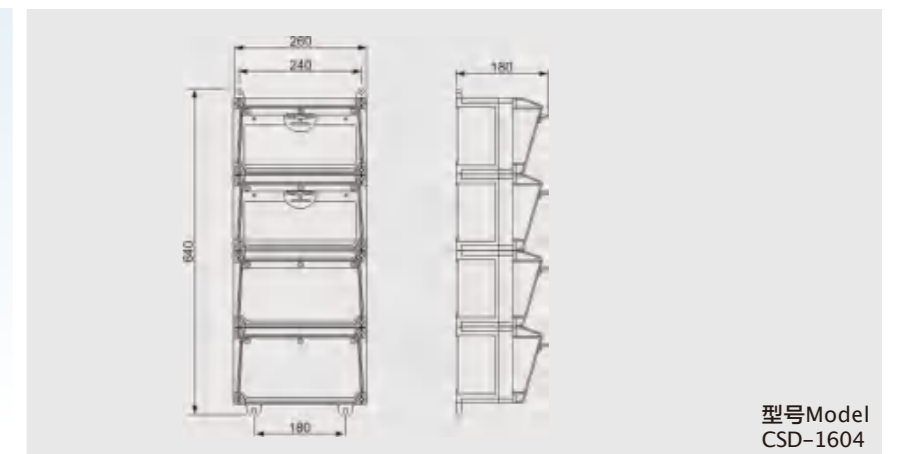
型号Model
CSD-1601



型号Model
CSD-1602



型号Model
CSD-1603



型号Model
CSD-1604

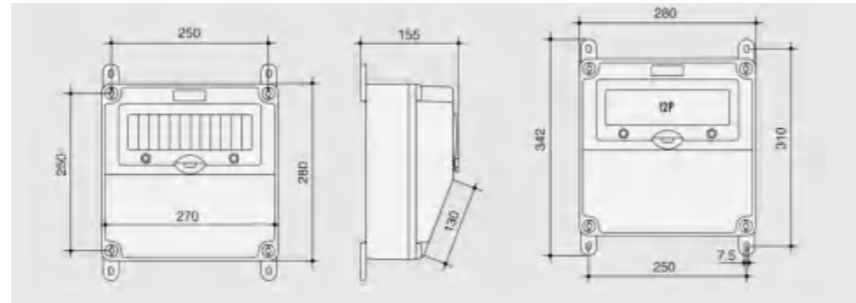
SP-S COMBINED SOCKET DISTRIBUTION BOX 组合式插座配电箱



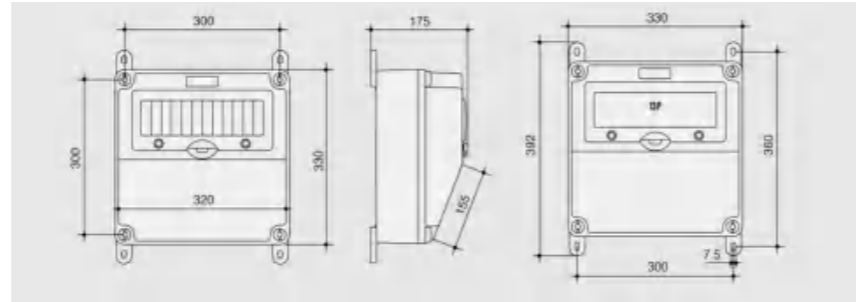
- 防水、防尘、耐腐蚀、高强度绝缘。可根据用户需求随意开孔，规格齐全，安装方便。
- 执行标准：IEC60529,EN60309,IP65
- Waterproof,dustproof,anticorrosion,highstrength insulation Any opening is available according to the customers' demands,it is very complete in specification and convenient in installation.
- Executive standard: IEC60529,EN60309,IP65



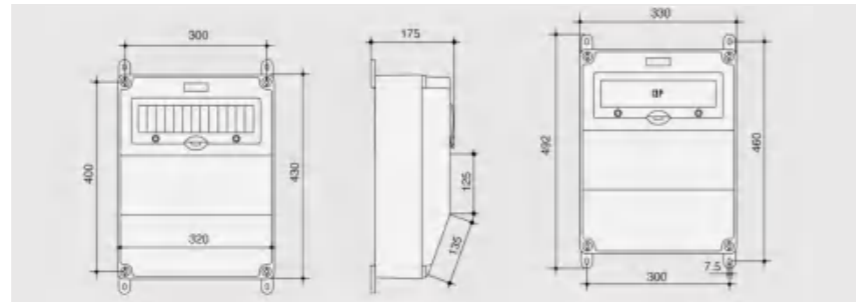
型号Model:SP-S-282815



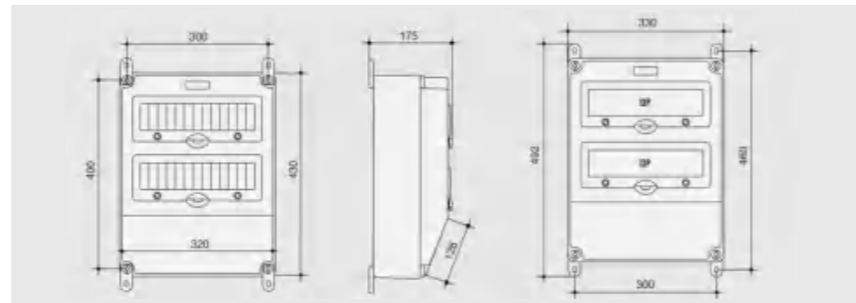
型号Model:SP-S-333317



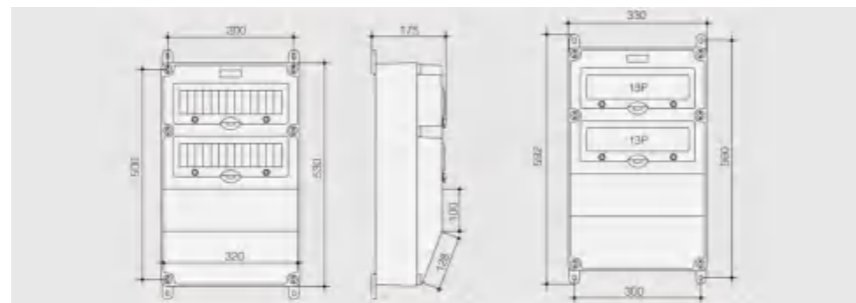
型号Model:SP-S-334317A



型号Model:SP-S-334317B



型号Model:SP-S-335317



CSD SPS WATERPROOF DISTRIBUTION BOX 防水配电箱



手提式插座配电箱 PORTABLE SOCKET DISTRIBUTION BOX



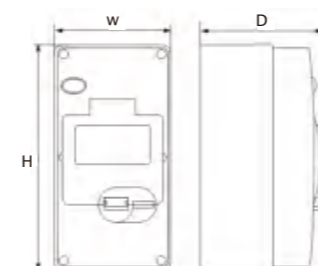
- 方便携带式提供灵活的电源输出。Portable, and provide flexible power supply output.
- 执行标准 Executive standard DIN VDE0623 IEC60309-2
- 防护等级 Protection degree IEC60529,IP65

型号 Model	尺寸 Dimension	长(mm) L	宽(mm) W	厚(mm) H
CSD-1801		260	170	140
CSD-1802		260	170	140

SPS配电箱 WATERPROOF DISTRIBUTION BOX-SPS SERIES



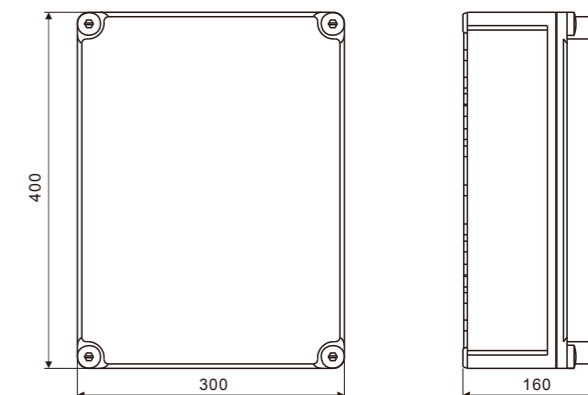
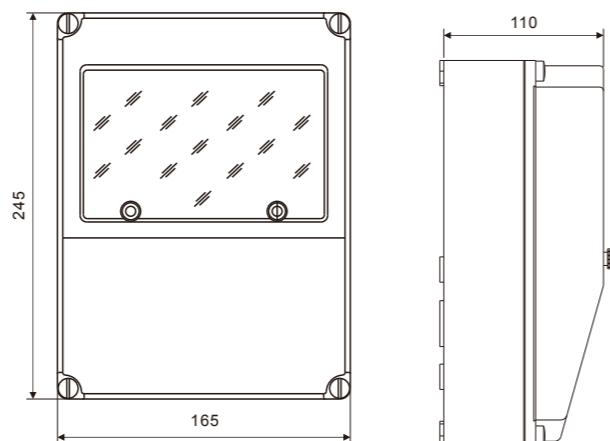
尺寸规格 PRODUCT FEATURES



技术参数 TECHNICAL DATA

规格 Specification	产品尺寸(axbxc)mm Size(HXWXD)mm
SPS-2ways	120x55x90
SPS-3 ways	175x85x100
SPS-4 ways	200x100x100
SPS-8 ways	200x200x100

SPS WATERPROOF DISTRIBUTION BOX 防水配电箱



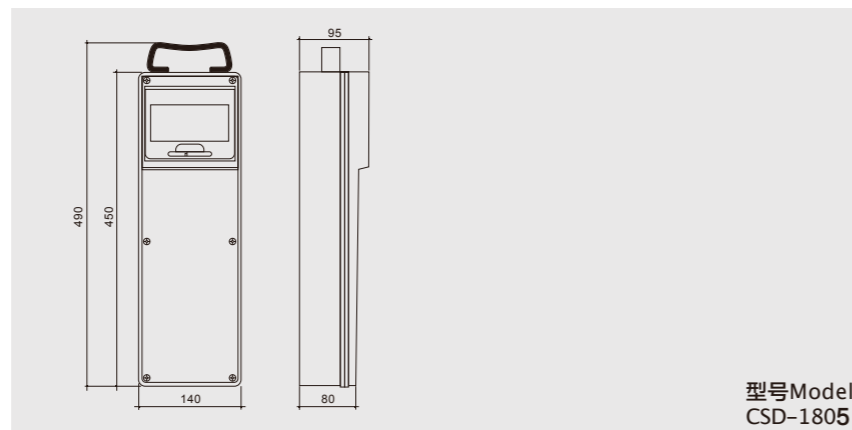
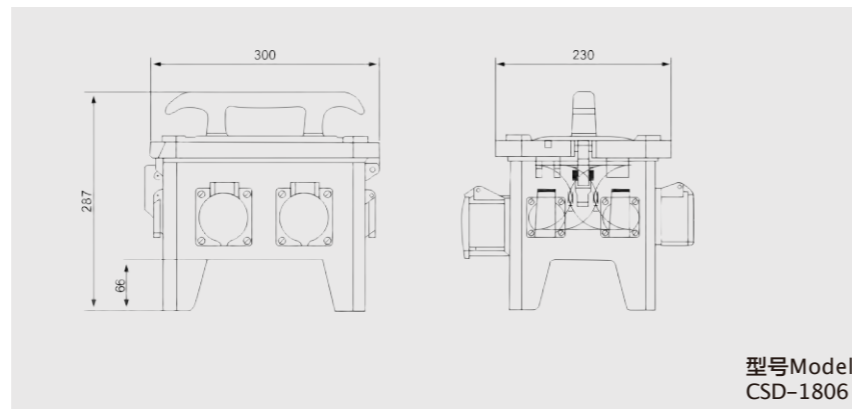
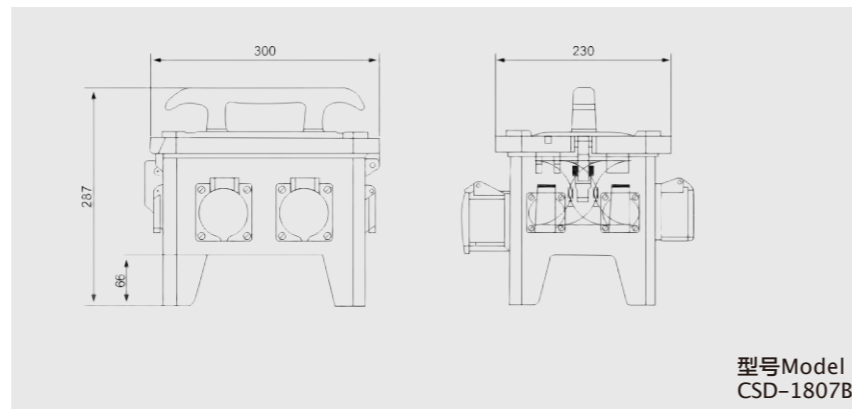
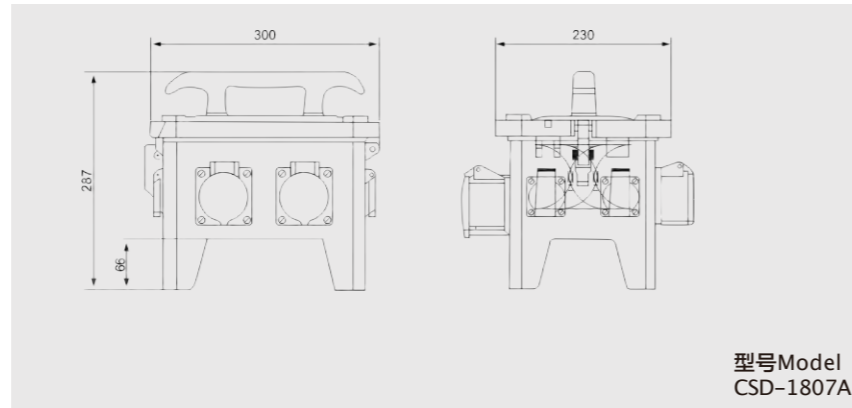
SPS WATERPROOF DISTRIBUTION BOX 防水配电箱



型号 Model: SP-S1-1021	型号 Model: SP-S1-1022	型号 Model: SP-S1-1023	型号 Model: SP-S1-1024
16A/1P 小型断路器 MCB 1只	16A/1P 小型断路器 MCB 2只	50A/3P 漏电断路器 RCCB 1只	32A/1P 小型断路器 MCB 1只
16A/3P 小型断路器 MCB 1只	16A/3P 暗装直插 Panel Mounted Straight Socket IP44 2只	16A/3P 暗装直插 Panel Mounted Straight Socket IP44 1只	16A/3P 暗装斜插 Panel Mounted Angle Socket IP44 2只
16A/3P 暗装直插 Panel Mounted Straight Socket IP44 1只		32A/5P 暗装直插 Panel Mounted Straight Socket IP44 1只	
16A/5P 暗装直插 Panel Mounted Straight Socket IP44 1只			

型号 Model: SP-S1-1029	型号 Model: SP-S1-1030	型号 Model: SP-S1-1031	型号 Model: SP-S1-1032
16A/1P 小型断路器 MCB 4只	32A/3P 小型断路器 MCB 1只	16A/3P 小型断路器 MCB 6只	63A/3P 小型断路器 MCB 1只
32A/3P 小型断路器 MCB 3只	63A/5P 暗装斜插 Panel Mounted Angle Socket IP44 2只	16A/4P 暗装直插 Panel Mounted Straight Socket IP67 6只	32A/2P 漏电断路器 RCCB 1只
32A/1P 小型断路器 MCB 1只			32A/3P 漏电断路器 RCCB 1只
16A/2P SCHUKO 插座 Socket IP54 4只	32A/4P 暗装斜插 Panel Mounted Angle Socket IP44 2只		16A/3P 暗装斜插 Panel Mounted Angle Socket IP67 3只
32A/5P 暗装直插 Panel Mounted Straight Socket IP44 2只			16A/5P 暗装斜插 Panel Mounted Angle Socket IP67 2只
32A/5P 暗装直插 Panel Mounted Straight Socket IP44 1只			

CSD COMBINED SOCKET DISTRIBUTION BOX 组合式插座配电箱



56E AUSTRALIAN WATERPROOF BOX 澳式防水盒



56CB3N



56E Series

产品特性 PRODUCT FEATURES

- 所有安装后箱为耐紫外线硬质RVC构造，以便配件胶合和导管引入。
- 足够的管道和电缆引入装置，足够的接线空间以方便安装。
- 所在螺纹管引入装置提供有插头。多联外壳的模块之间有铸模桥架，确保开关和插座嵌在一连续层面上。多联箱也可设置铸模间隔物，以隔离服务，并与4, 6, 8, 9以及16联外壳同标准。
- 每个外壳有许多安装点和220/10密封插头，双重绝缘安装螺钉头，确保达到IP额定保护等级。
- 铸模垫片随开关和插座模块一起供应。
- Mounting Back Boxes are moulded in UV stabilized rigid RVC to facilitate glueing of fittings for conduit entry.
- Ample conduit and cable entries are provided and there is plenty of wiring room for easy installation.
- All screwed conduit entries are provided with plugs. The multigang enclosures feature moulded bridges between modules to ensure switches and sockets sit flush on a continuous surface. Moulded dividers are also available for multigang boxes to Segregate services and are standard with 4,6,8,9,ang 16 gang enclosures.
- Each enclosure has a number of mounting points and 220/10 Seal ing Plugs a re provided to double insulate mounting screw heads and ensure the IP rating.
- Moulded gaskets are supplied with switch and socket modules.
- 可选项Options Available
耐久性橙色在型号后加RO，例如56E2RO。
Resistant Orang -add RO to Catalog Number e.g. 56E2 becomes 56E2RO.
- 安装附件Mounting Accessories
不锈钢杆安装架装备适用于56E2,56E3以及56E4VH模块，型号56PMK。
不锈钢安装脚适用于所有外壳，目录号为56MF。
- Stainless steel pole mounting bracket kit to suit 56E2, 56E3 and 56E4VH Modules. Catalogue No 56PMK.
Stainless steel mounting feet suit all enclosures.Catalogue Number56MF.

技术参数 TECHNICAL DATA

型号 Model	联数 No.of Gangs	外形尺寸(H)x(W)x(D) O/A Dims (H)x(W)x(D)	安装点 Mounting Points	导管引入装置数(mm) No.of Conduit Entries(mm)	截取规定(mm) Cut out Provision(mm)
56E1	1	101x101x63	8	2x25,1x32	1x25/32
56ES1	1	101x101x38	4	1x25,1x20	1x20x/25
56E2	2	198x101x63	8	2x25,1x32	1x25,1x32
56ED2	2	198x101x100	8	2x40	1x25,1x32
56ES2	2	198x101x38	4	1x25,2x32	2x20/25
56E2/4EL	2	198x101x105	8	2x25,1x32	1x25,1x31
56E3	3	294x101x63	16	2x25,1x32	2x25,1x32
56E4	4	198x198x63	16	2x25,2x32	2x25,1x32,1x40
56E4VH	4	391x101x63	16	2x25,1x32	2x25,1x32,1x40
56E6	6	294x198x63	24	2x25,2x32	2x25,2x32,2x40
56E8	8	391x198x63	28	2x25,2x32	4x25,2x32,2x40
56E9	9	294x294x63	28	2x25,2x32	4x25,1x32,1x40
56E16	16	391x391x63	48	2x25,2x32	6x25,6x32,4x40

AUSTRALIAN WATERPROOF BOX

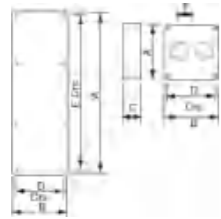
56E 澳式防水盒

• 外壳盖(盖)Enclosure Lide(Covers)

外壳盖为耐紫外线聚碳酸酯构造。全部28mm高，并配有密封垫片。
Mounting enclosure lids are moulded in UV stabilised polycarbonate. All are 28mm high and supplied complete with sealing gasket.

• 可选项 Option available

- 耐久性橙色在型号后加RO，例如56L1加RO后就是56L1RO。
- 化学性质56L1可选耐久性灰色在型号后加CG，例如56L1加CG后就是56L1CG。
- Resistant Orange-add RO to Cat.NO.e.g.56L1 becomes 56L1RO.
- 56L1 available in Chemical Resistant Grey-add CG to Catalogue Number e.g.56L1 becomes 56L1CG.



型号	联数	尺寸Dimensions(mm)				
Model	No.of Gangs	A	B	C	D	E
56L1	1	95	95	28	84	84
56L2	2	192	95	28	84	181
56L3	3	288	95	28	84	277
56L4	4	192	192	28	181	181

• 接线盒 JUNCTION BOXES

56系列接线盒是专为工业环境设计。中性连接器适用于3x6mm²电缆以及密封垫片。

提供25mm和32mm螺纹导管引入装置和密封插头，电缆引入装置在后面截取。

56 Series Junction Boxes are designed for industrial environments. Neutral conn-ectors for up to 3x6mm² cable and sealing gasket. 25mm and 32mm screwed conduit entries and sealing plugs are provided, as are cable entry cut outs in the back.

• 可选项 Options available

- 耐久性橙色只用于56JB1和56JB2，在型号后加RO，例如56JB1加RO后就是56JB1RO。
- Resistant Orange for 56JB1 and 56JB2 only-AddRO to Catalogue Number e.g. 56 JB1 becomes 56JB1RO.



型号	联数	外形尺寸(H)x(W)x(D)	截取(mm)
Model	No.of Gangs	O/A Dims (H)x(W)x(D)	Cut outs(mm)
56JB1	1	107x101x90	1x25x32
56JB2	2	204x101x90	1x25,1x32
56JB3	3	300x101x90	2x25,1x32
56JB4	4	201x198x90	2x25,1x32,1x40



• 可选项 Options available

- 耐久性橙色在型号后加RO，例如56CB1N加RO后就是56CB1NRO。
- Resistant Orange -Add RO to Catalogue Number e.g. 56 CB1N becomes 56CB1NRO.
- 化学性质灰色在型号后加CG，例如56CBIN加CG后就是56CBINCG。
- Chemical Grey-add CG to Catalogue Number e.g.56CBIN becomes 56CBINCG.

型号	模块类型	相数	模块宽度
Model	Module Type	No.of Phases	Module Width
56CB1N	MCB	1	1
56CB2N	MCB	2	2
56CB3N	MCB	3	3
56CB4N	MCB	4	4
56EL2N	4EL RCD	2	21/2
*56EL2	4EL RCD	2	21/2
56EL4N	4EL RCD	4	4

WATERPROOF SWITCH AND SOCKET

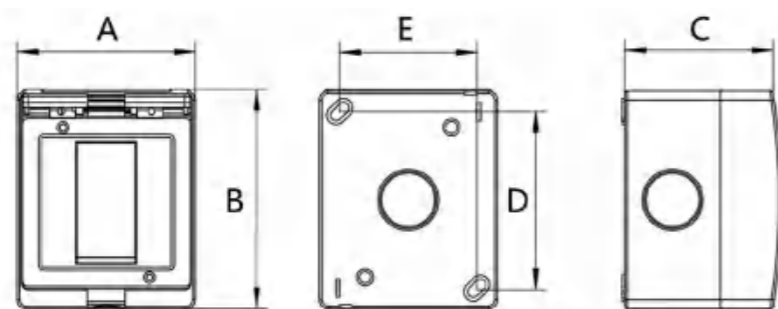
防水开关插座



SAIPWELL ELEC.

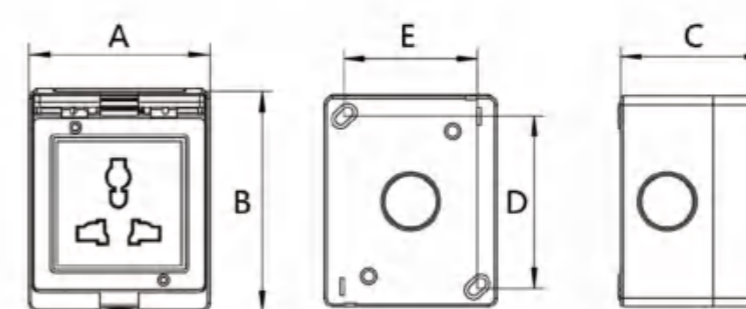
Copyright © SaipWell ELEC. All Right Reserved Deliver happiness to everyone

(IP55) 国标明装防水开关系列 (IP55) National standard waterproof switch series



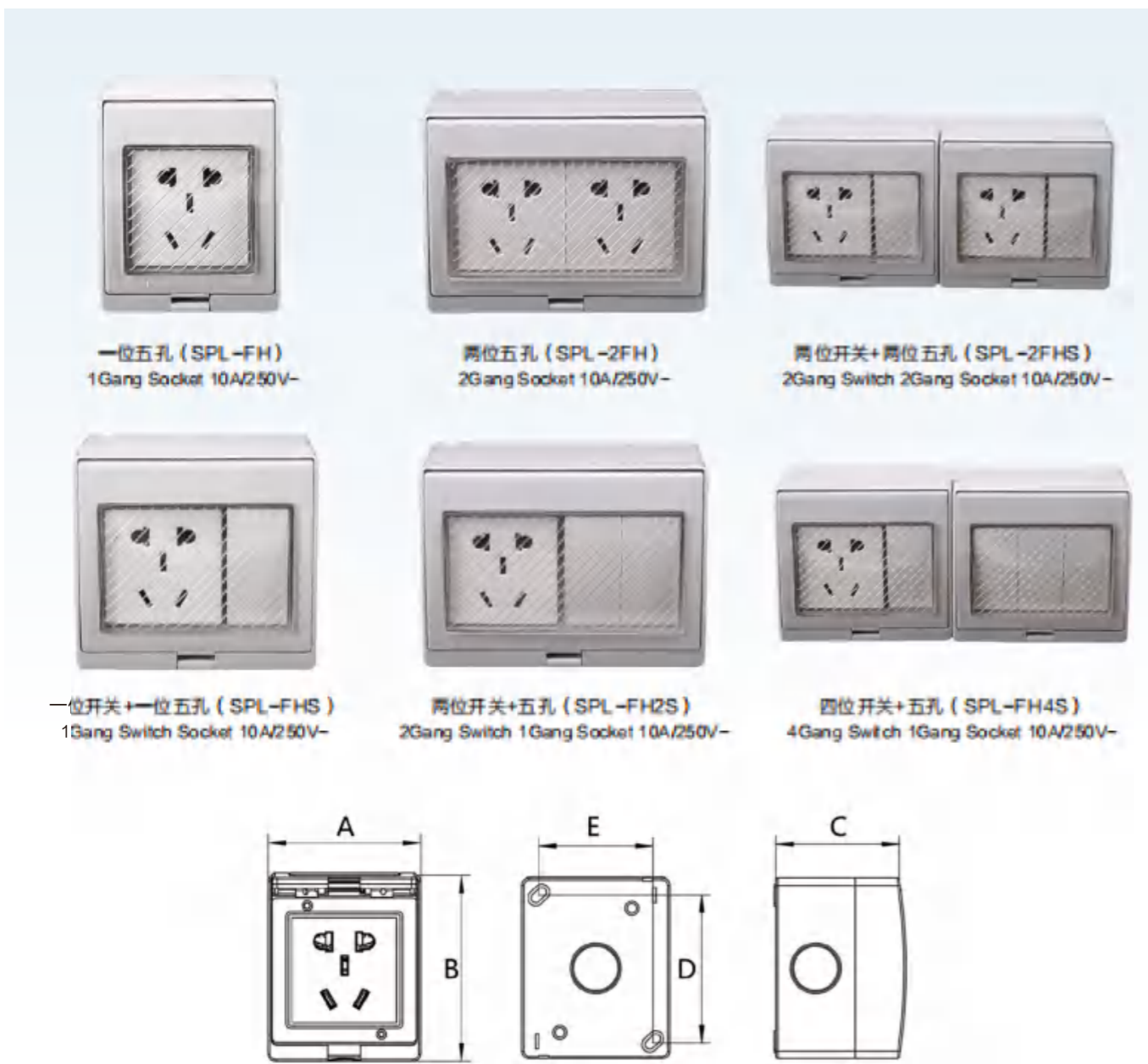
技术参数规格表 Technical parameter specification table								
型号 model	A (mm)	B (mm)	C (mm)	D (mm)	E (mm)	额定电流电压 Rated current and voltage	防护等级 Protection class	外壳材料 (可选) Housing material (optional)
SPL-1GB	70	85	63	70	54	16A/250V~	IP55	ABS/PC
SPL-1GS	70	85	63	70	54	16A/250V~	IP55	ABS/PC
SPL-2GS	70	85	63	70	54	16A/250V~	IP55	ABS/PC
SPL-3GS	94	85	63	70	78	16A/250V~	IP55	ABS/PC
SPL-4GS	118	85	63	70	102	16A/250V~	IP55	ABS/PC
SPL-6GS	188	85	63	70	172	16A/250V~	IP55	ABS/PC

(IP55) 多功能明装防水插座系列 (IP55) Multifunctional Surface Mounted Waterproof Socket Series



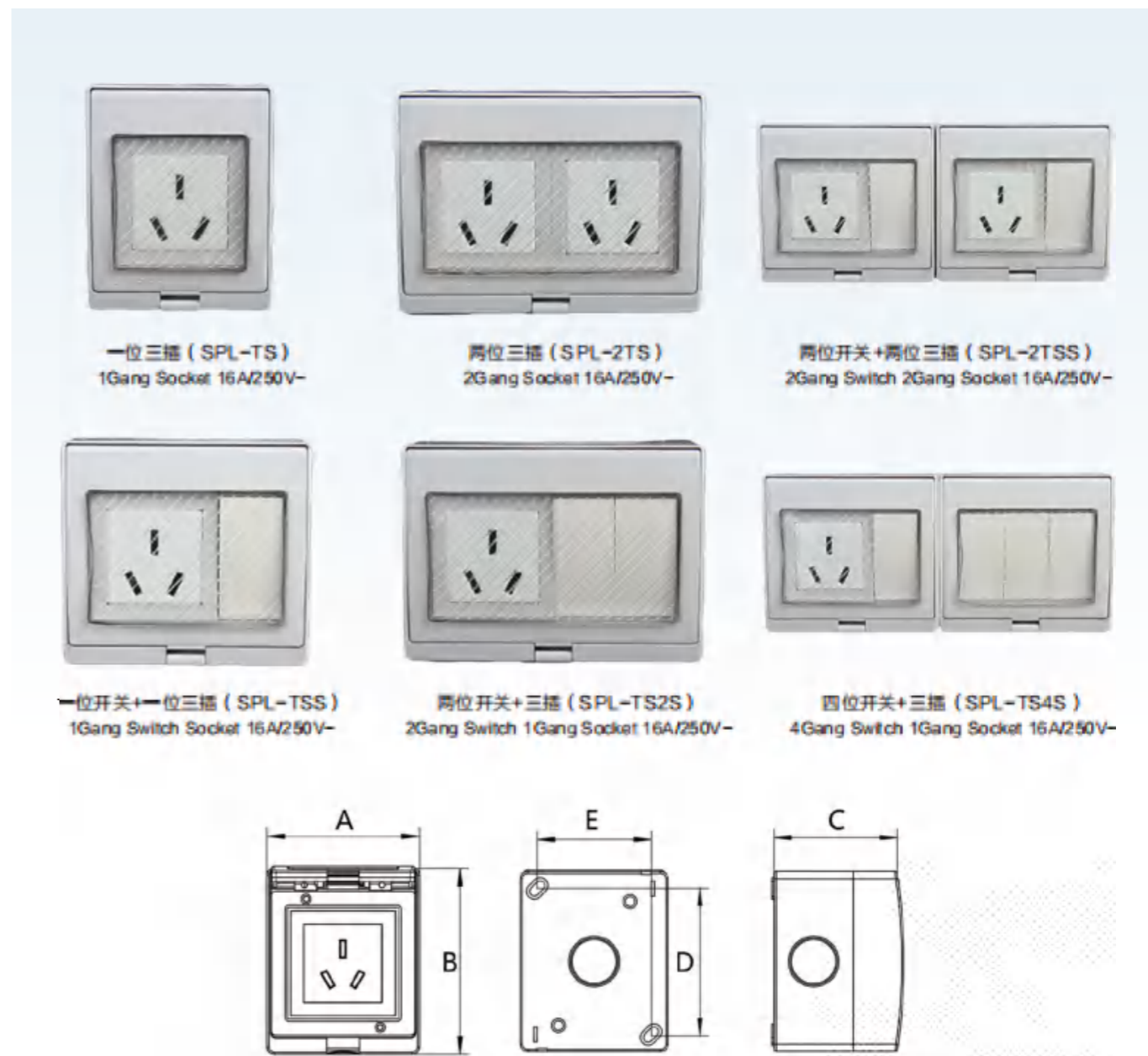
技术参数规格表 Technical parameter specification table								
型号 model	A (mm)	B (mm)	C (mm)	D (mm)	E (mm)	额定电流电压 Rated current and voltage	防护等级 Protection class	外壳材料 (可选) Housing material (optional)
SPL-U	70	85	63	70	54	13A/250V~	IP55	ABS/PC
SPL-US	94	85	63	70	78	13A/250V~	IP55	ABS/PC
SPL-2U	118	85	63	70	102	13A/250V~	IP55	ABS/PC
SPL-U2S	118	85	63	70	102	13A/250V~	IP55	ABS/PC
SPL-2US	188	85	63	70	172	13A/250V~	IP55	ABS/PC
SPL-U4S	188	85	63	70	172	13A/250V~	IP55	ABS/PC

(IP55) 国标五孔明装防水插座系列 (IP55) National Standard Five-hole Surface Mounted Waterproof Socket Series



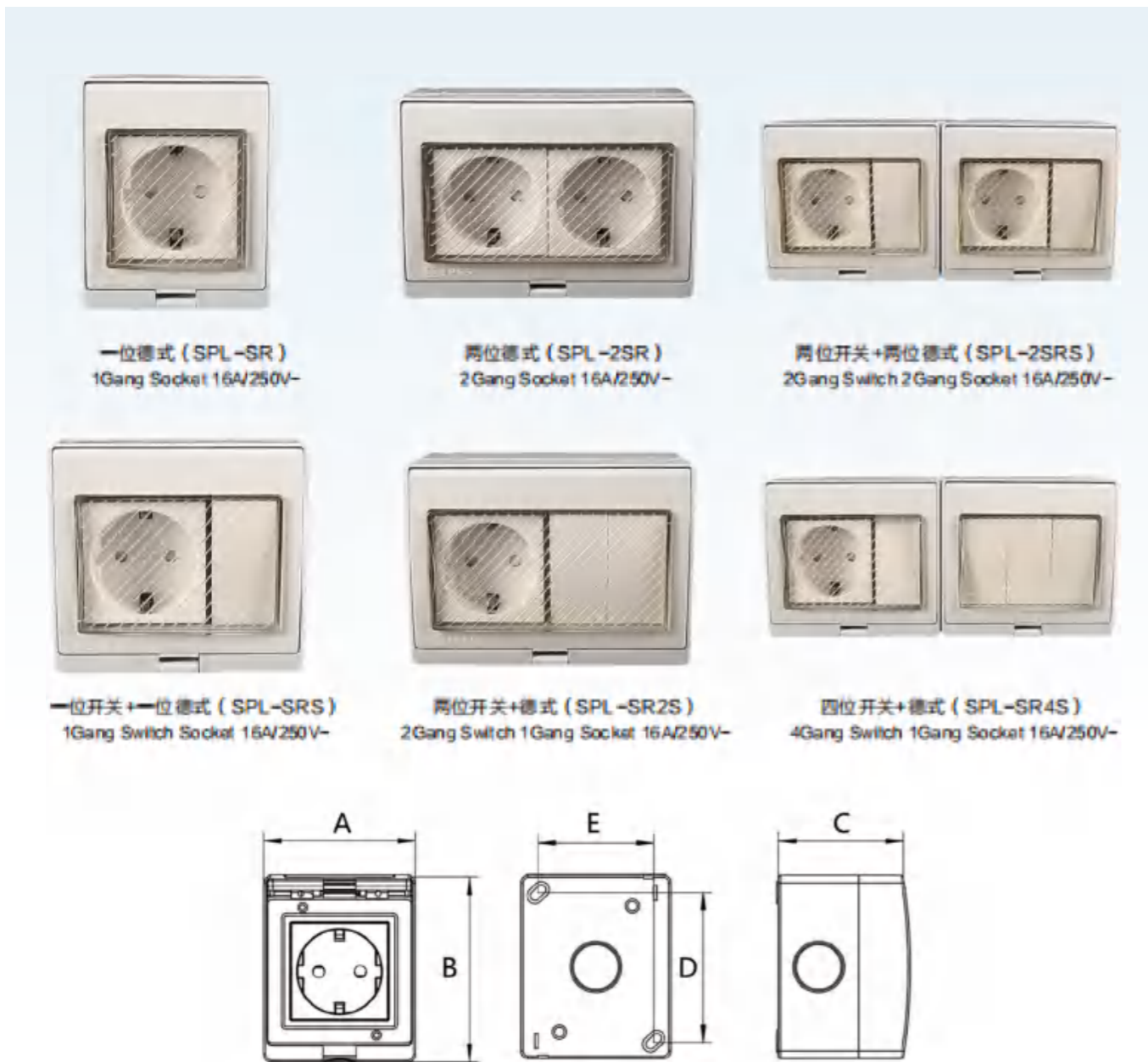
技术参数规格表 Technical parameter specification table								
型号 model	A (mm)	B (mm)	C (mm)	D (mm)	E (mm)	额定电流电压 Rated current and voltage	防护等级 Protection class	外壳材料 (可选) Housing material (optional)
SPL-FH	70	85	63	70	54	10A/250V~	IP55	ABS/PC
SPL-FHS	94	85	63	70	78	10A/250V~	IP55	ABS/PC
SPL-2FH	118	85	63	70	102	10A/250V~	IP55	ABS/PC
SPL-FH2S	118	85	63	70	102	10A/250V~	IP55	ABS/PC
SPL-2FHS	188	85	63	70	172	10A/250V~	IP55	ABS/PC
SPL-FH4S	188	85	63	70	172	10A/250V~	IP55	ABS/PC

(IP55) 国标三插16A明装防水插座系列 (IP55) GB three-plug 16A surface mounted waterproof socket series



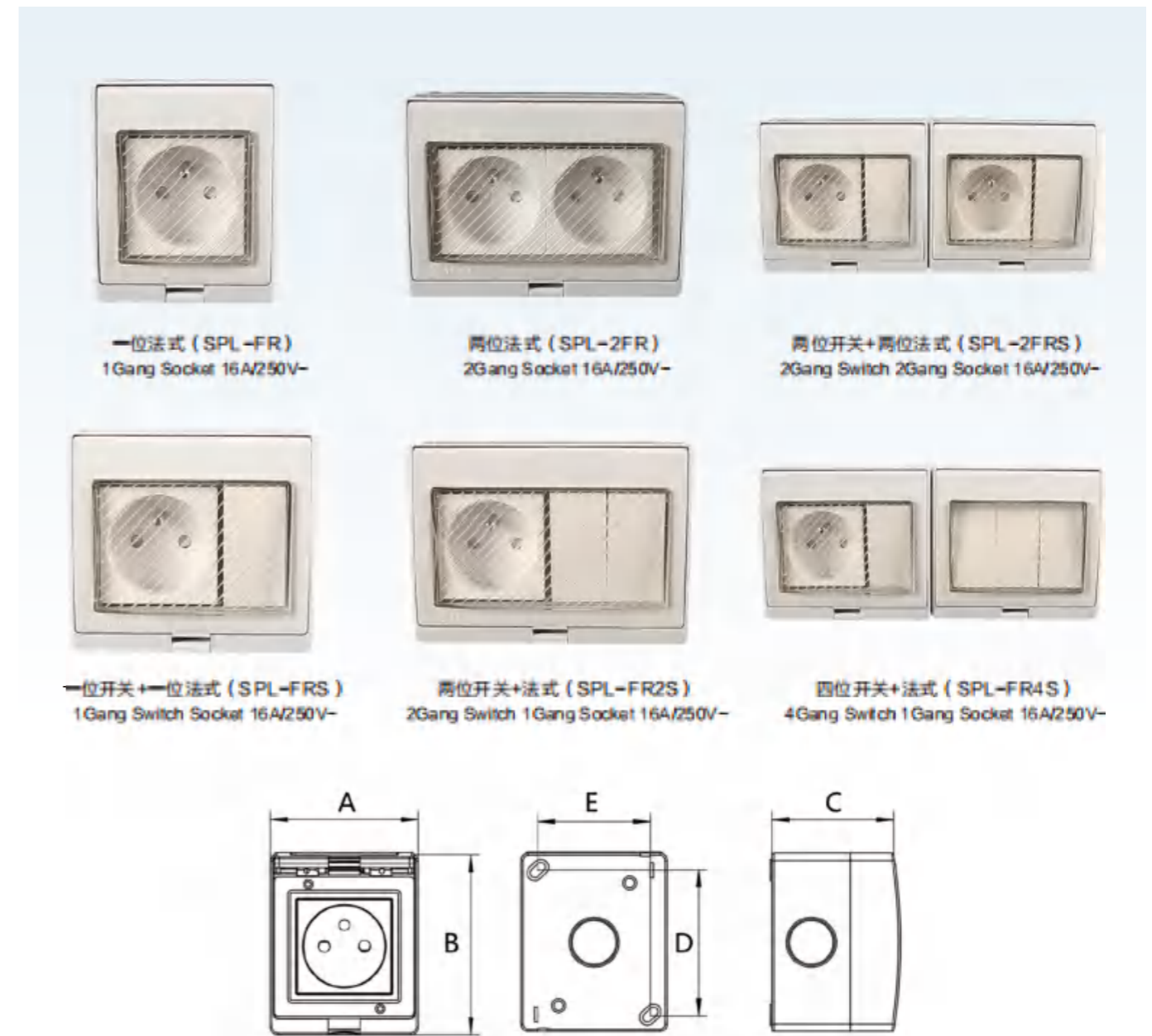
技术参数规格表 Technical parameter specification table								
型号 model	A (mm)	B (mm)	C (mm)	D (mm)	E (mm)	额定电流电压 Rated current and voltage	防护等级 Protection class	外壳材料 (可选) Housing material (optional)
SPL-TS	70	85	63	70	54	16A/250V~	IP55	ABS/PC
SPL-TSS	94	85	63	70	78	16A/250V~	IP55	ABS/PC
SPL-2TS	118	85	63	70	102	16A/250V~	IP55	ABS/PC
SPL-TS2S	118	85	63	70	102	16A/250V~	IP55	ABS/PC
SPL-2TSS	188	85	63	70	172	16A/250V~	IP55	ABS/PC
SPL-TS4S	188	85	63	70	172	16A/250V~	IP55	ABS/PC

(IP55) 德式 (德标) 明装防水插座系列 (IP55) German (German Standard) Surface Mounted Waterproof Socket Series



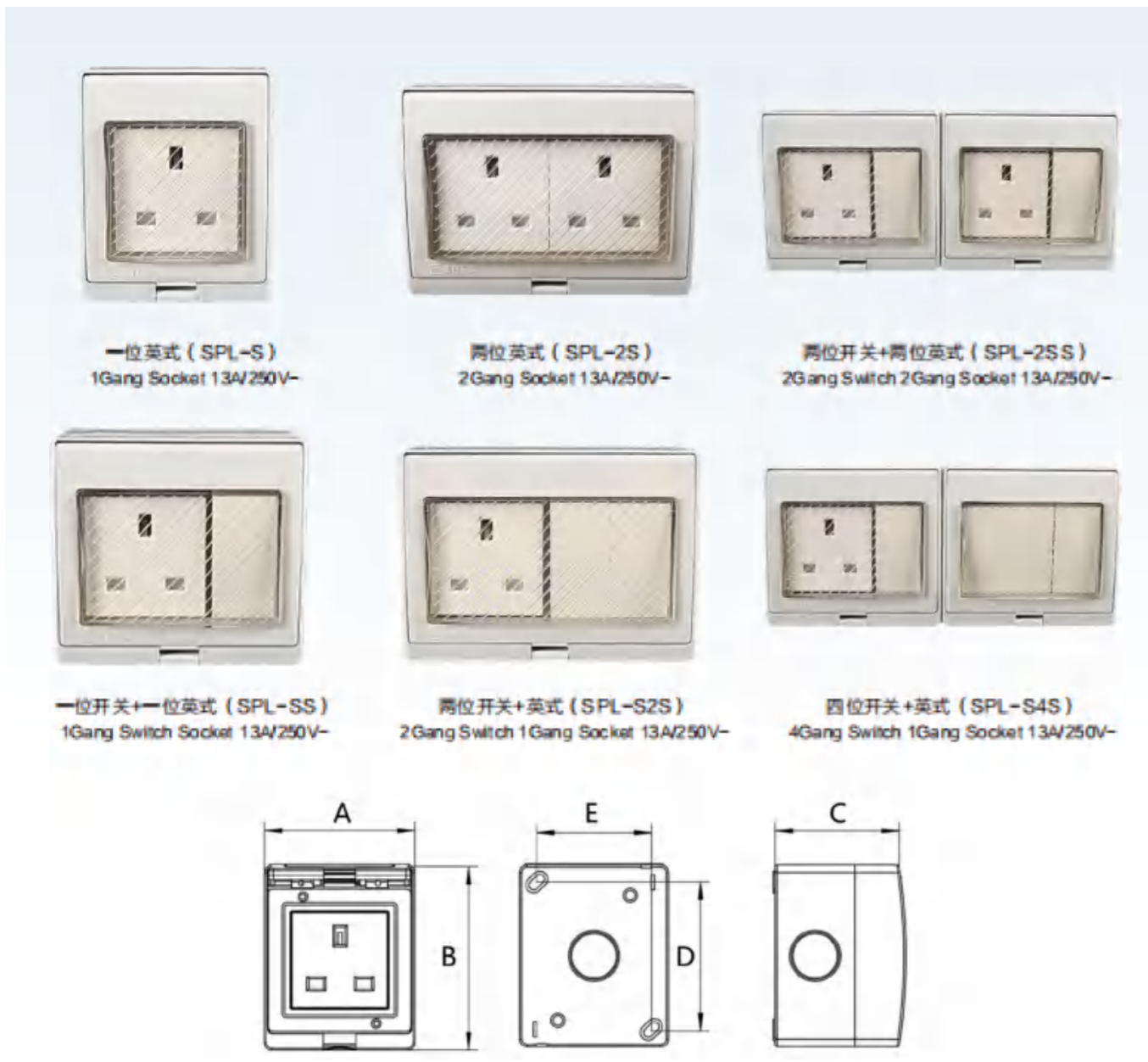
技术参数规格表 Technical parameter specification table								
型号 model	A (mm)	B (mm)	C (mm)	D (mm)	E (mm)	额定电流电压 Rated current and voltage	防护等级 Protection class	外壳材料 (可选) Housing material (optional)
SPL-SR	70	85	63	70	54	16A/250V~	IP55	ABS/PC
SPL-SRS	94	85	63	70	78	16A/250V~	IP55	ABS/PC
SPL-2SR	118	85	63	70	102	16A/250V~	IP55	ABS/PC
SPL-SR2S	118	85	63	70	102	16A/250V~	IP55	ABS/PC
SPL-2SRS	188	85	63	70	172	16A/250V~	IP55	ABS/PC
SPL-SR4S	188	85	63	70	172	16A/250V~	IP55	ABS/PC

(IP55) 法式 (法标) 明装防水插座系列 (IP55) French (French standard) surface mounted waterproof socket series



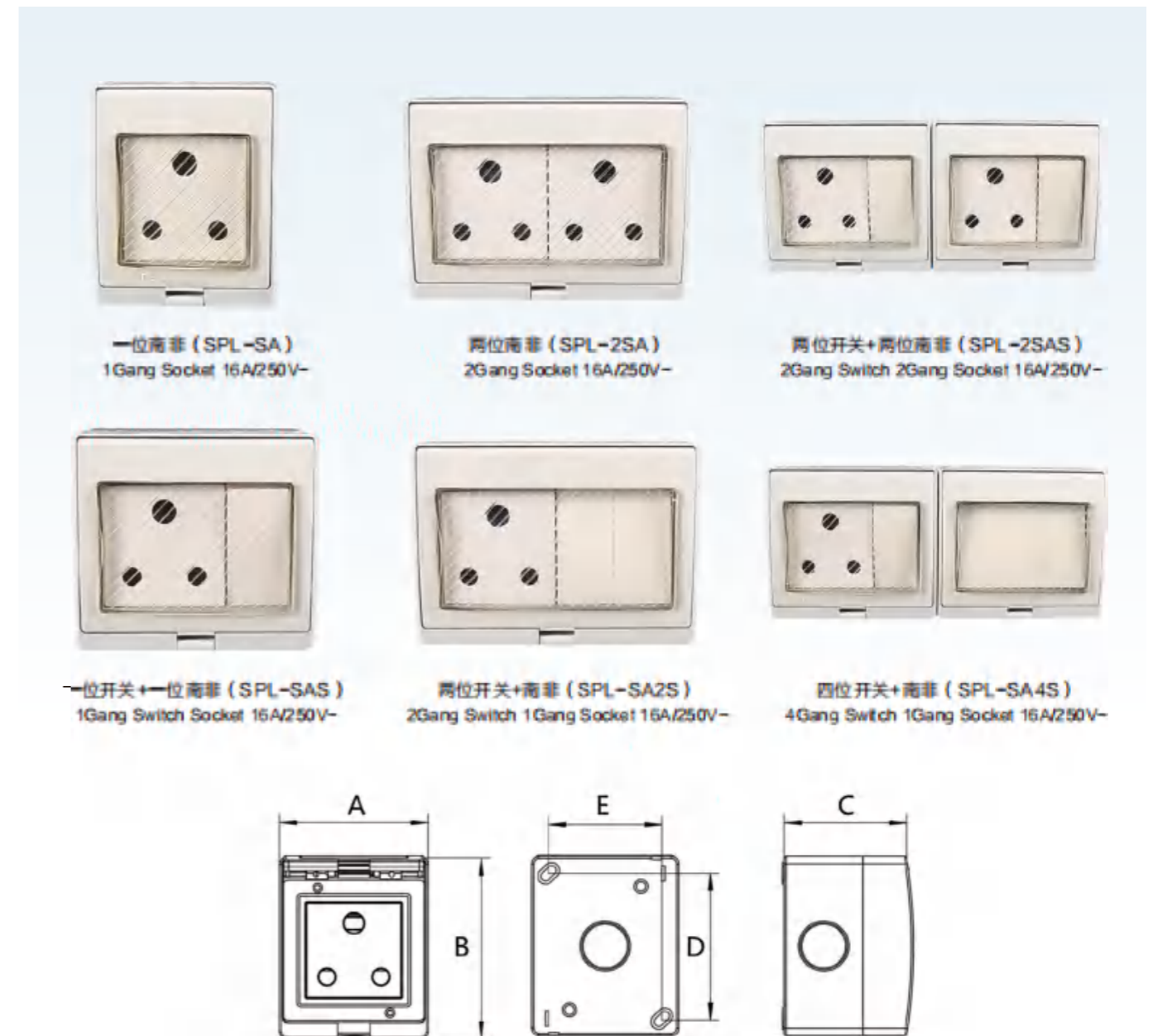
技术参数规格表 Technical parameter specification table								
型号 model	A (mm)	B (mm)	C (mm)	D (mm)	E (mm)	额定电流电压 Rated current and voltage	防护等级 Protection class	外壳材料 (可选) Housing material (optional)
SPL-FR	70	85	63	70	54	16A/250V~	IP55	ABS/PC
SPL-FRS	94	85	63	70	78	16A/250V~	IP55	ABS/PC
SPL-2FR	118	85	63	70	102	16A/250V~	IP55	ABS/PC
SPL-FR2S	118	85	63	70	102	16A/250V~	IP55	ABS/PC
SPL-2FRS	188	85	63	70	172	16A/250V~	IP55	ABS/PC
SPL-FR4S	188	85	63	70	172	16A/250V~	IP55	ABS/PC

(IP55) 英式 (英标) 明装防水插座系列 (IP55) British (British Standard) Surface Mounted Waterproof Socket Series



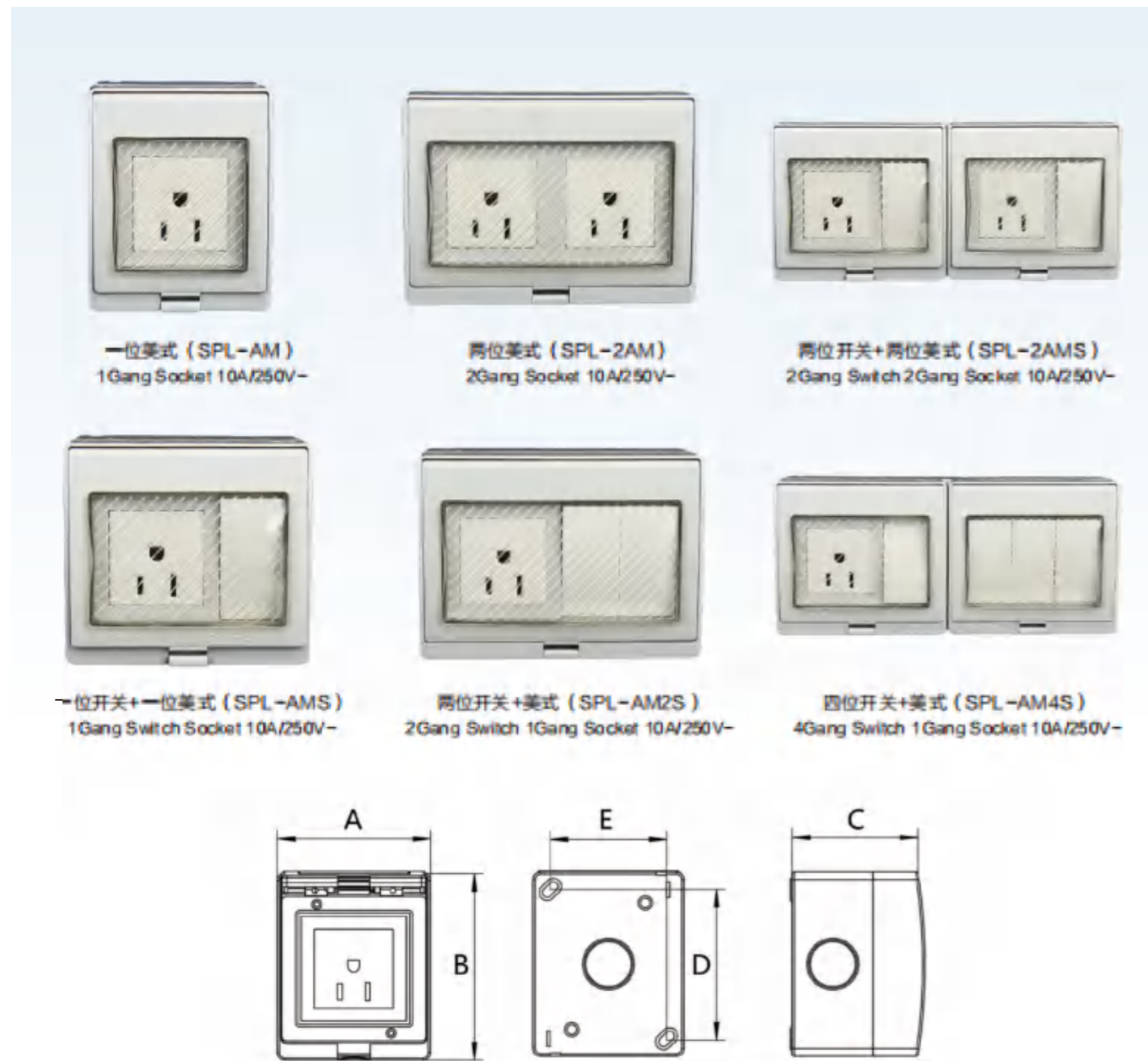
技术参数规格表 Technical parameter specification table								
型号 model	A (mm)	B (mm)	C (mm)	D (mm)	E (mm)	额定电流电压 Rated current and voltage	防护等级 Protection class	外壳材料 (可选) Housing material (optional)
SPL-S	70	85	63	70	54	13A/250V~	IP55	ABS/PC
SPL-SS	94	85	63	70	78	13A/250V~	IP55	ABS/PC
SPL-2S	118	85	63	70	102	13A/250V~	IP55	ABS/PC
SPL-S2S	118	85	63	70	102	13A/250V~	IP55	ABS/PC
SPL-2SS	188	85	63	70	172	13A/250V~	IP55	ABS/PC
SPL-S4S	188	85	63	70	172	13A/250V~	IP55	ABS/PC

(IP55) 南非明装防水插座系列 (IP55) South Africa surface mounted waterproof socket series



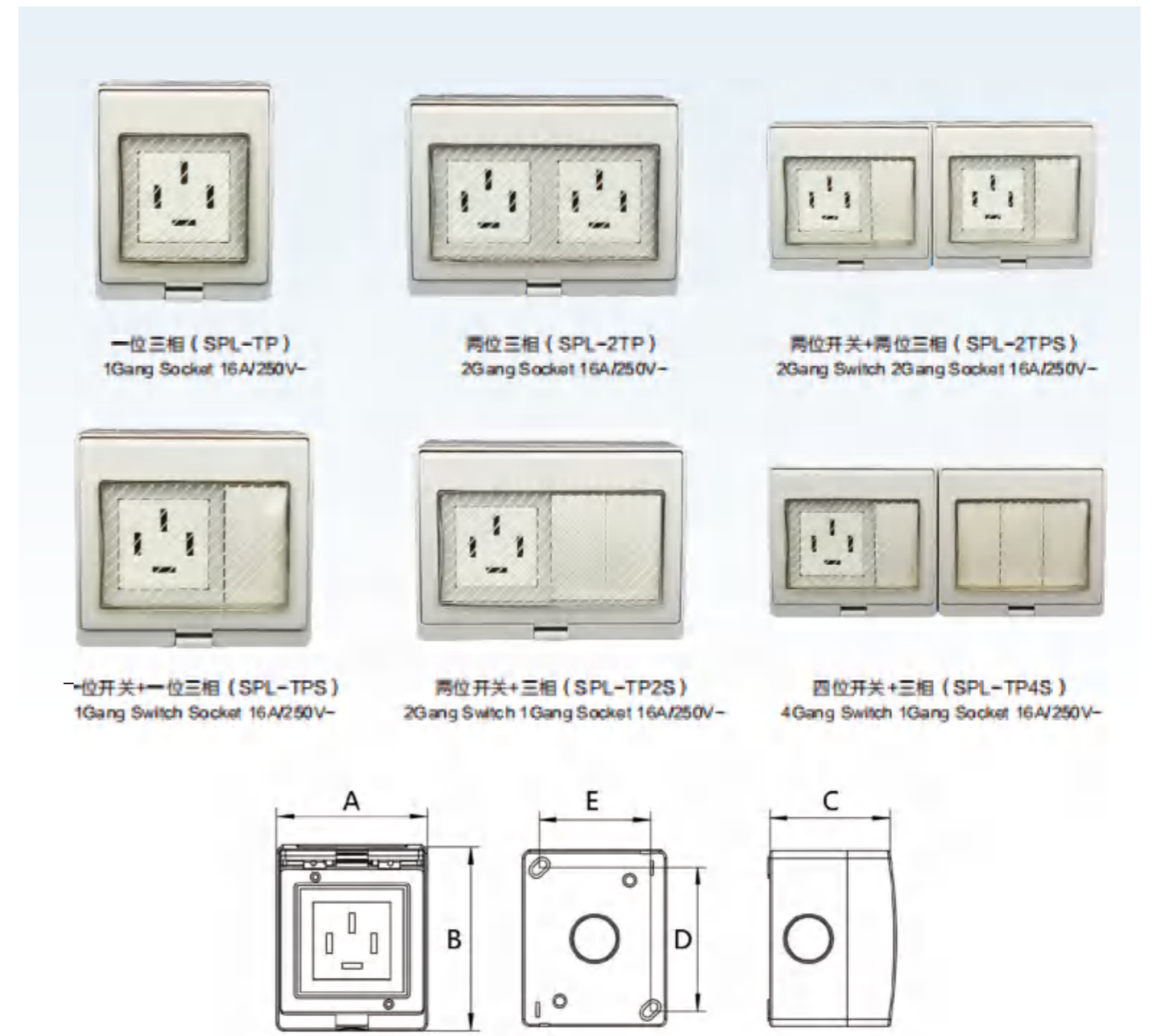
技术参数规格表 Technical parameter specification table								
型号 model	A (mm)	B (mm)	C (mm)	D (mm)	E (mm)	额定电流电压 Rated current and voltage	防护等级 Protection class	外壳材料 (可选) Housing material (optional)
SPL-SA	70	85	63	70	54	16A/250V~	IP55	ABS/PC
SPL-SAS	94	85	63	70	78	16A/250V~	IP55	ABS/PC
SPL-2SA	118	85	63	70	102	16A/250V~	IP55	ABS/PC
SPL-SA2S	118	85	63	70	102	16A/250V~	IP55	ABS/PC
SPL-2SAS	188	85	63	70	172	16A/250V~	IP55	ABS/PC
SPL-SA4S	188	85	63	70	172	16A/250V~	IP55	ABS/PC

(IP55) 美式 (美标) 明装防水插座系列 (IP55) American (American Standard) Surface Mounted Waterproof Socket Series



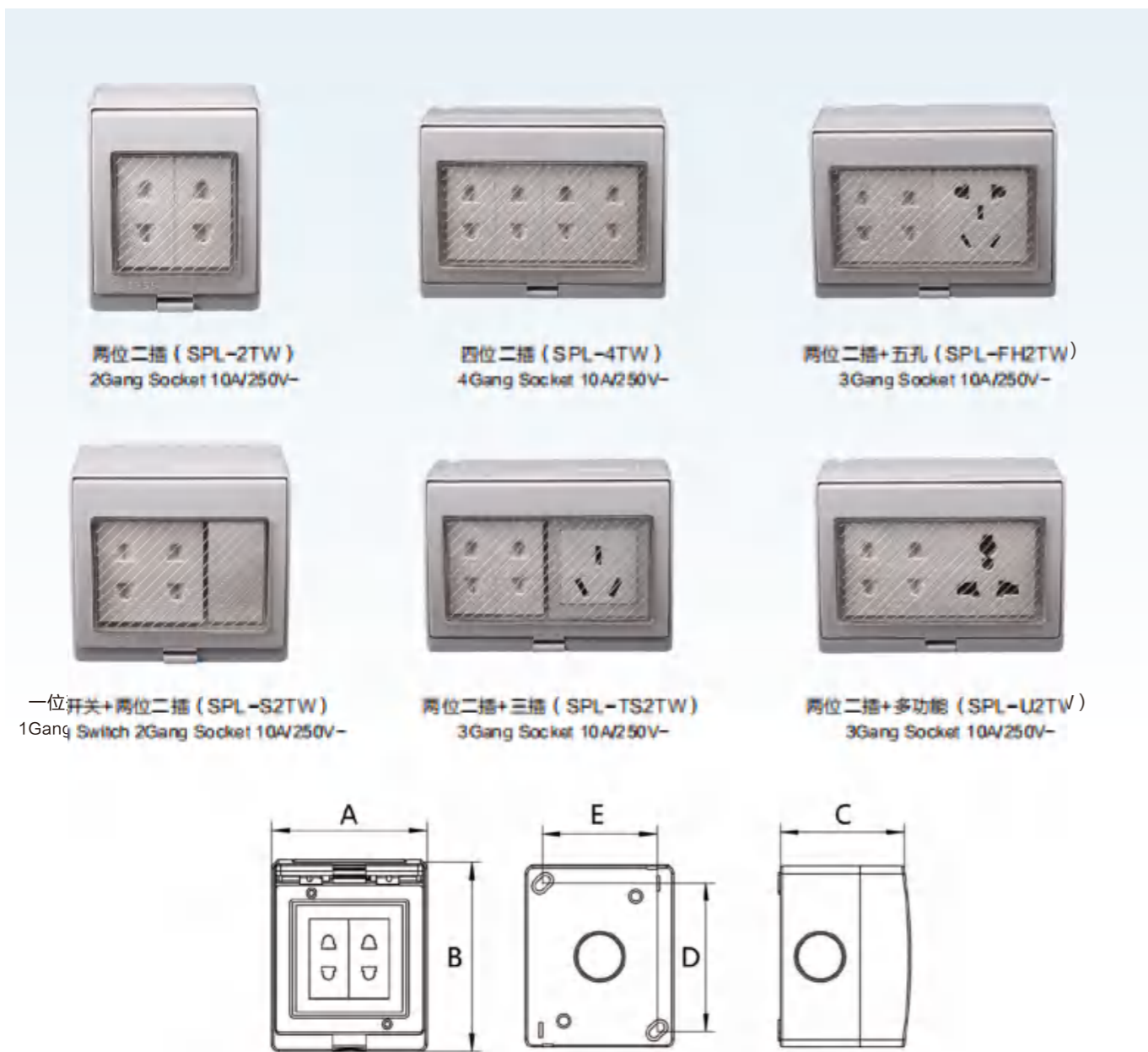
技术参数规格表 Technical parameter specification table								
型号 model	A (mm)	B (mm)	C (mm)	D (mm)	E (mm)	额定电流电压 Rated current and voltage	防护等级 Protection class	外壳材料 (可选) Housing material (optional)
SPL-AM	70	85	63	70	54	10A/250V~	IP55	ABS/PC
SPL-AMS	94	85	63	70	78	10A/250V~	IP55	ABS/PC
SPL-2AM	118	85	63	70	102	10A/250V~	IP55	ABS/PC
SPL-AM2S	118	85	63	70	102	10A/250V~	IP55	ABS/PC
SPL-2VS	188	85	63	70	172	10A/250V~	IP55	ABS/PC
SPL-AM4S	188	85	63	70	172	10A/250V~	IP55	ABS/PC

(IP55) 国标三相四线16A明装防水插座系列 (IP55) National standard three-phase four-wire 16A surface mounted waterproof socket series



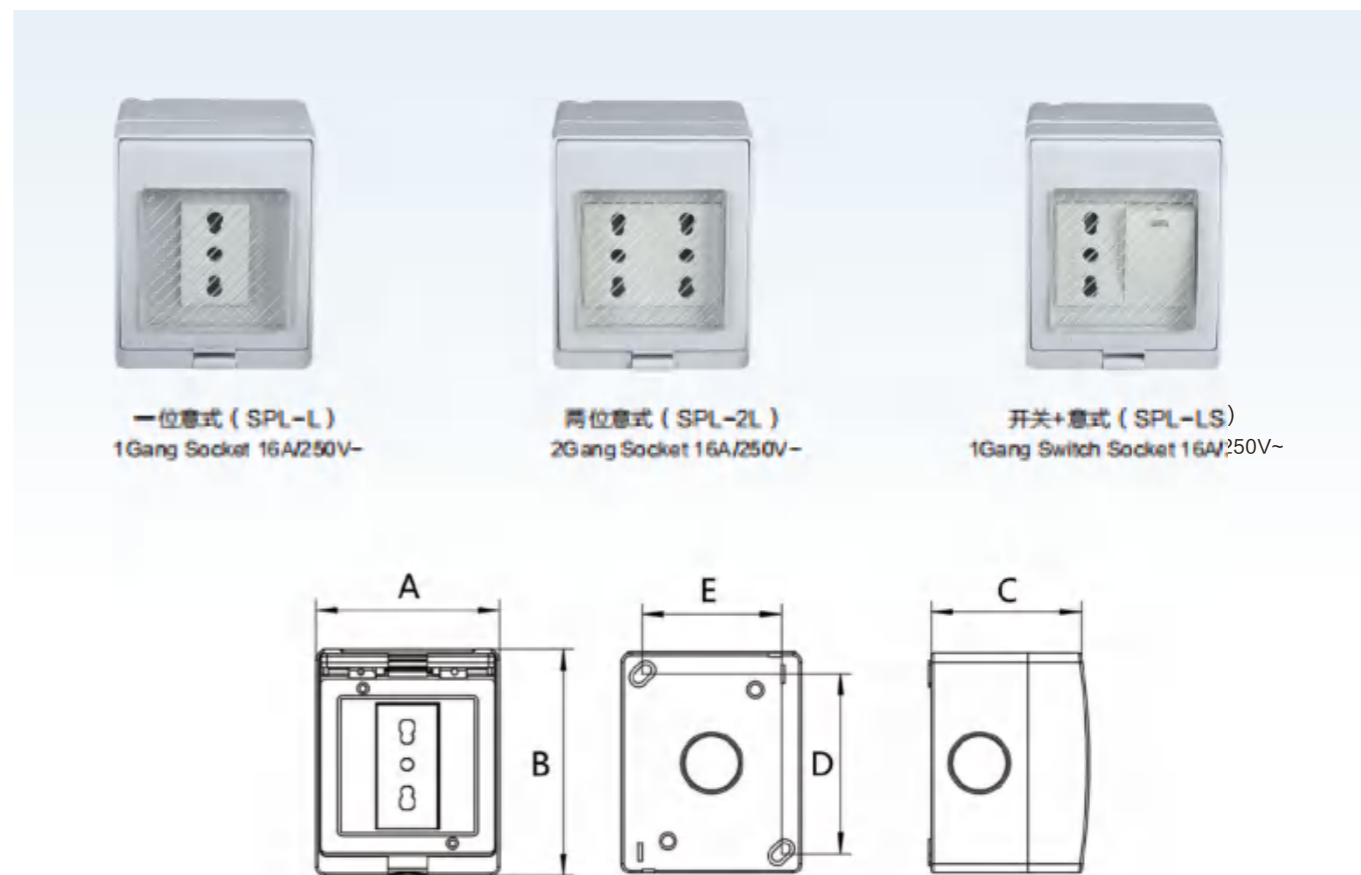
技术参数规格表 Technical parameter specification table								
型号 model	A (mm)	B (mm)	C (mm)	D (mm)	E (mm)	额定电流电压 Rated current and voltage	防护等级 Protection class	外壳材料 (可选) Housing material (optional)
SPL-TP	70	85	63	70	54	16A/250V~	IP55	ABS/PC
SPL-TPS	94	85	63	70	78	16A/250V~	IP55	ABS/PC
SPL-2TP	118	85	63	70	102	16A/250V~	IP55	ABS/PC
SPL-TP2S	118	85	63	70	102	16A/250V~	IP55	ABS/PC
SPL-2TPS	188	85	63	70	172	16A/250V~	IP55	ABS/PC
SPL-TP4S	188	85	63	70	172	16A/250V~	IP55	ABS/PC

(IP55) 国标二插明装防水插座系列 National standard two plug-in waterproof socket series



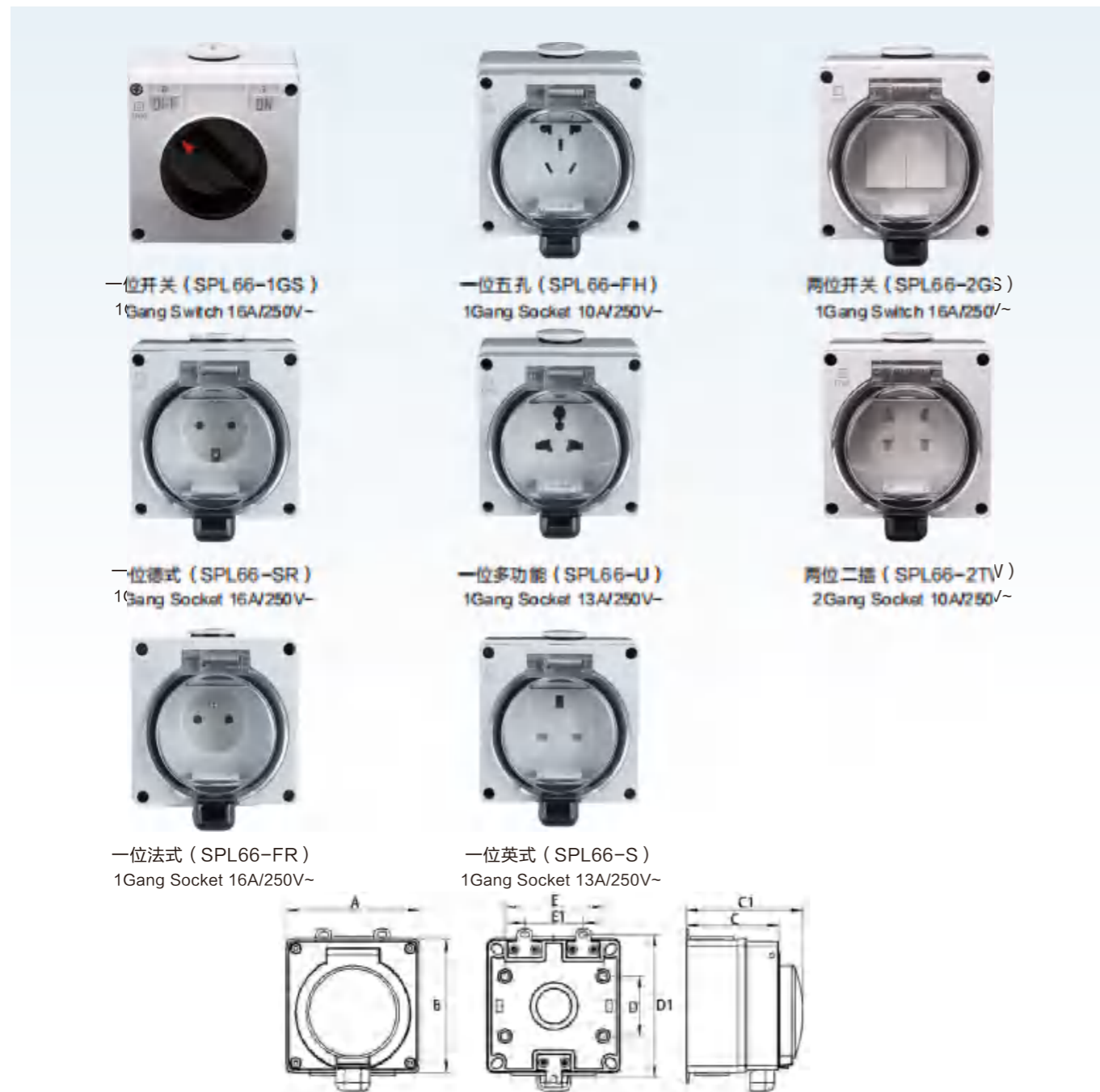
型号 model	A (mm)	B (mm)	C (mm)	D (mm)	E (mm)	额定电流电压 Rated current and voltage	防护等级 Protection class	外壳材料 (可选) Housing material (optional)
SPL-2TW	70	85	63	70	54	10A/250V~	IP55	ABS/PC
SPL-S2TW	94	85	63	70	78	10A/250V~	IP55	ABS/PC
SPL-4TW	118	85	63	70	102	10A/250V~	IP55	ABS/PC
SPL-TS2TW	118	85	63	70	102	10A/250V~	IP55	ABS/PC
SPL-FH2TW	188	85	63	70	172	10A/250V~	IP55	ABS/PC
SPL-U2TW	188	85	63	70	172	10A/250V~	IP55	ABS/PC

(IP55) 意大利 (智利) 明装防水插座系列 (IP55) Italy (Chile) Surface Mounted Waterproof Socket Series



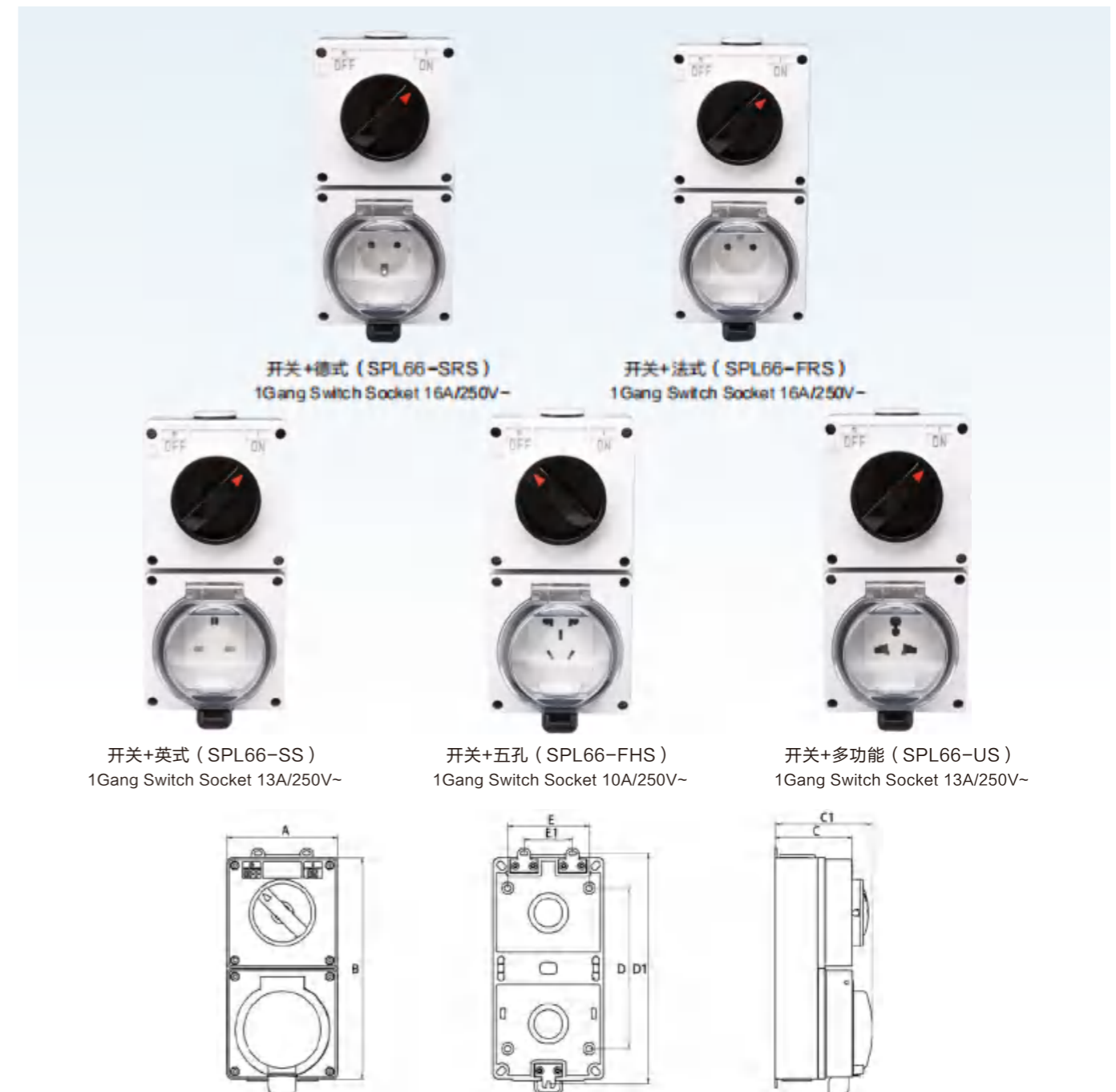
型号 model	A (mm)	B (mm)	C (mm)	D (mm)	E (mm)	额定电流电压 Rated current and voltage	防护等级 Protection class	外壳材料 (可选) Housing material (optional)
SPL-L	70	85	63	70	54	16A/250V~	IP55	ABS/PC
SPL-2L	70	85	63	70	54	16A/250V~	IP55	ABS/PC
SPL-LS	70	85	63	70	54	16A/250V~	IP55	ABS/PC

(IP66) 一位防水开关插座系列 (IP66) One waterproof switch socket series



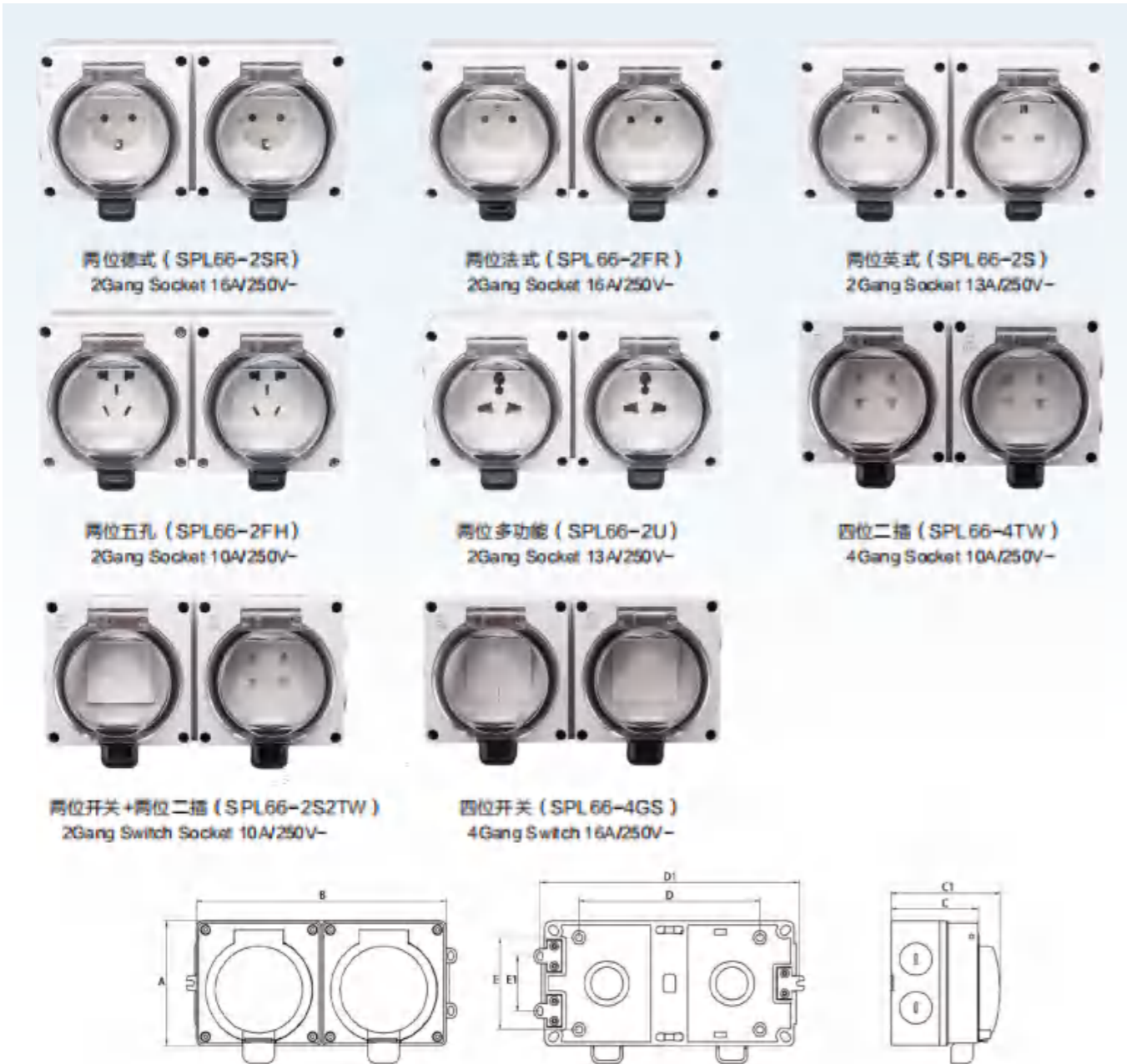
技术参数规格表 Technical parameter specification table											
型号 model	A (mm)	B (mm)	C (mm)	D (mm)	E (mm)	C1 (mm)	D1 (mm)	E1 (mm)	额定电流电压 Rated current and voltage	防护等级 Protection class	外壳材料 (可选) Housing material (optional)
SPL66-1GS	100	100	73	45	74	90	107	44	16A/250V~	IP66	ABS/PC
SPL66-FH	100	100	73	45	74	90	107	44	10A/250V~	IP66	ABS/PC
SPL66-SR	100	100	73	45	74	90	107	44	16A/250V~	IP66	ABS/PC
SPL66-U	100	100	73	45	74	90	107	44	13A/250V~	IP66	ABS/PC
SPL66-FR	100	100	73	45	74	90	107	44	16A/250V~	IP66	ABS/PC
SPL66-S	100	100	73	45	74	90	107	44	13A/250V~	IP66	ABS/PC
SPL66-2GS	100	100	73	45	74	90	107	44	16A/250V~	IP66	ABS/PC
SPL66-2TW	100	100	73	45	74	90	107	44	10A/250V~	IP66	ABS/PC

(IP66) 两位防水开关插座系列 (IP66) Two waterproof switch socket series



技术参数规格表 Technical parameter specification table											
型号 model	A (mm)	B (mm)	C (mm)	D (mm)	E (mm)	C1 (mm)	D1 (mm)	E1 (mm)	额定电流电压 Rated current and voltage	防护等级 Protection class	外壳材料 (可选) Housing material (optional)
SPL66-SRS	100	200	73	145	74	90	208	44	16A/250V~	IP66	ABS/PC
SPL66-FRS	100	200	73	145	74	90	208	44	16A/250V~	IP66	ABS/PC
SPL66-SS	100	200	73	145	74	90	208	44	13A/250V~	IP66	ABS/PC
SPL66-FHS	100	200	73	145	74	90	208	44	10A/250V~	IP66	ABS/PC
SPL66-US	100	200	73	145	74	90	208	44	13A/250V~	IP66	ABS/PC

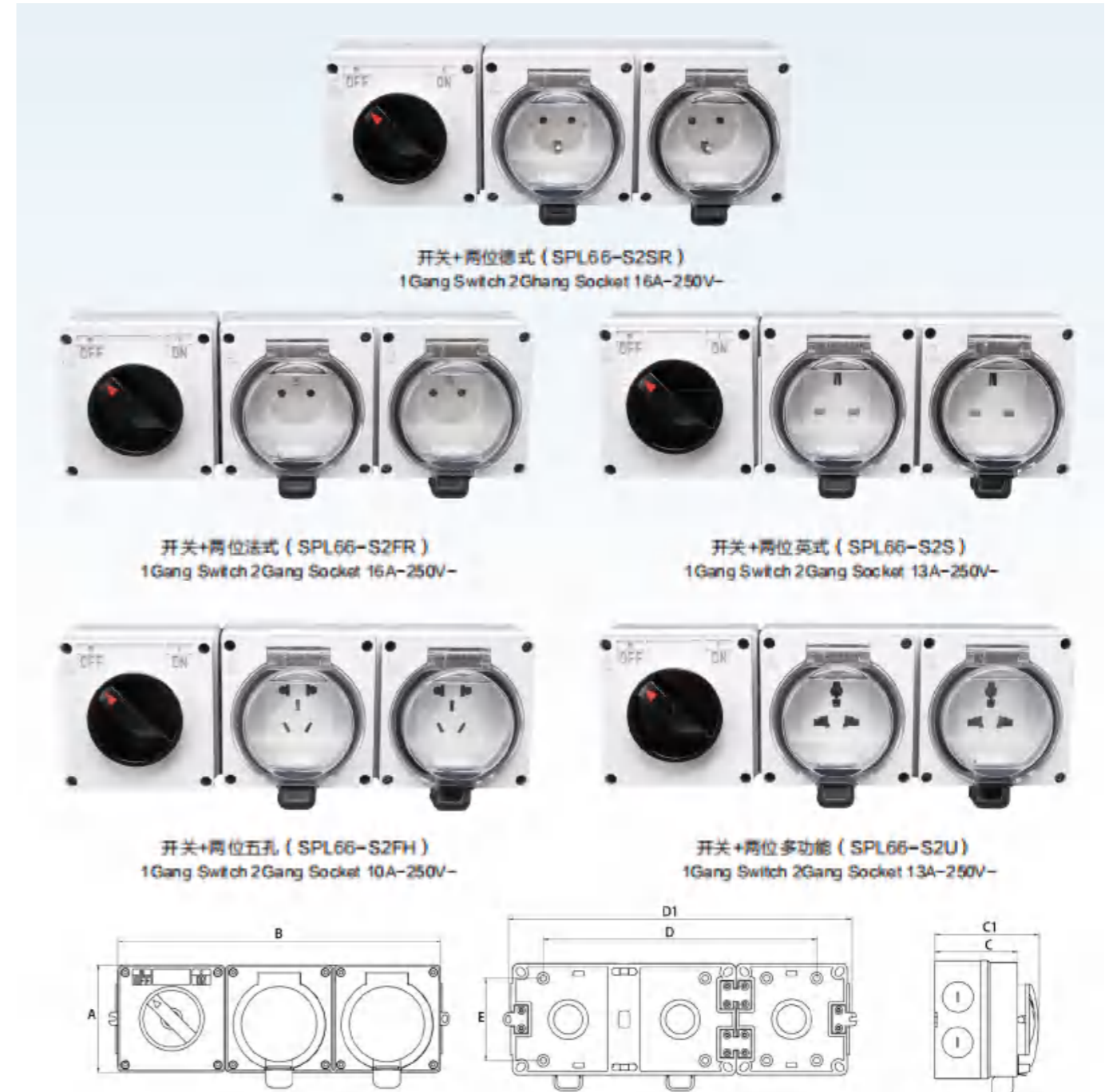
(IP66) 两位防水开关插座系列 (IP66) Two waterproof switch socket series



技术参数规格表 Technical parameter specification table

型号 model	A(mm)	B(mm)	C(mm)	D (mm)	E (mm)	C1(mm)	D1(mm)	E1 (mm)	额定电流电压 Rated current and voltage	防护等级 Protection class	外壳材料 (可选) Housing material (optional)
SPL66-2SR	100	200	73	145	74	90	208	44	16A/250V~	IP66	ABS/PC
SPL66-2FR	100	200	73	145	74	90	208	44	16A/250V~	IP66	ABS/PC
SPL66-2S	100	200	73	145	74	90	208	44	13A/250V~	IP66	ABS/PC
SPL66-2FH	100	200	73	145	74	90	208	44	10A/250V~	IP66	ABS/PC
SPL66-2U	100	200	73	145	74	90	208	44	13A/250V~	IP66	ABS/PC
SPL66-4TW	100	200	73	145	74	90	208	44	10A/250V~	IP66	ABS/PC
SPL66-2S2TW	100	200	73	145	74	90	208	44	10A/250V~	IP66	ABS/PC
SPL66-4GS	100	200	73	145	74	90	208	44	16A/250V~	IP66	ABS/PC

(IP66) 三位防水开关插座系列 (IP66) Three waterproof switch socket series



技术参数规格表 Technical parameter specification table

型号 model	A(mm)	B(mm)	C(mm)	D (mm)	E (mm)	C1(mm)	D1(mm)	额定电流电压 Rated current and voltage	防护等级 Protection class	外壳材料 (可选) Housing material (optional)
SPL66-S2SR	100	300	73	245	74	90	308	16A/250V~	IP66	ABS/PC
SPL66-S2FR	100	300	73	245	74	90	308	16A/250V~	IP66	ABS/PC
SPL66-S2S	100	300	73	245	74	90	308	13A/250V~	IP66	ABS/PC
SPL66-S2FH	100	300	73	245	74	90	308	10A/250V~	IP66	ABS/PC
SPL66-S2U	100	300	73	245	74	90	308	13A/250V~	IP66	ABS/PC

SPL WATERPROOF SWITCH AND SOCKET 防水开关插座



(IP66) 四位防水开关插座系列 (IP66) Four waterproof switch socket series



开关+三位德式 (SPL66-S3SR)
1Gang Switch 3Gang Socket 16A-250V~



开关+三位法式 (SPL66-S3FR)
1Gang Switch 3Gang Socket 16A-250V~



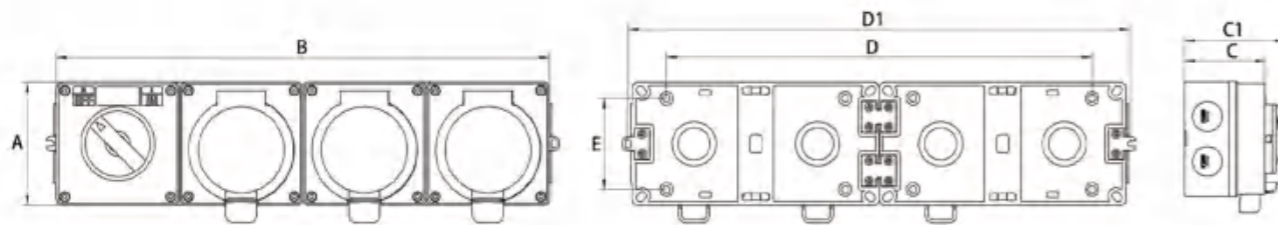
开关+三位英式 (SPL66-S3S)
1Gang Switch 3Gang Socket 13A-250V~



开关+三位五孔 (SPL66-S3FH)
1Gang Switch 3Gang Socket 10A-250V~



开关+三位多功能 (SPL66-S3U)
1Gang Switch 3Gang Socket 13A-250V~



技术参数规格表 Technical parameter specification table

型号 model	A(mm)	B(mm)	C(mm)	D (mm)	E (mm)	C1(mm)	D1(mm)	额定电流电压 Rated current and voltage	防护等级 Protection class	外壳材料 (可选) Housing material (optional)
SPL66-S3SR	100	400	73	346	74	90	408	16A/250V~	IP66	ABS/PC
SPL66-S3FR	100	400	73	346	74	90	408	16A/250V~	IP66	ABS/PC
SPL66-S3S	100	400	73	346	74	90	408	13A/250V~	IP66	ABS/PC
SPL66-S3FH	100	400	73	346	74	90	408	10A/250V~	IP66	ABS/PC
SPL66-S3U	100	400	73	346	74	90	408	13A/250V~	IP66	ABS/PC

SP SERIES WEATHERPROOF SWITCHES SP系列防水开关



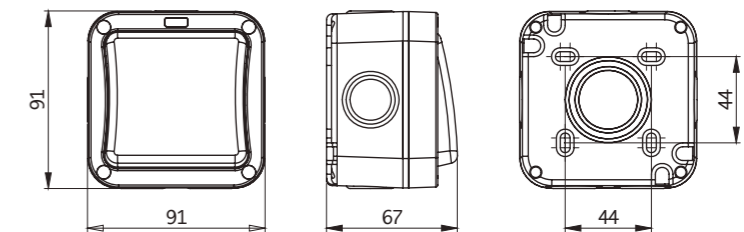
20A开关 20A Switches

型号 Catalogue Number	规格 Description	装箱数 Carton Qty
SP21	一位开关 1 way	10
SP22	两位开关 2 way	10
SP23	一位门铃 1 gang, 2 way retractive, printed "PRESS"	10
SP24	一位双控 1 gang, double pole	10



IP66 防护等级
执行BS EN 60669-1标准
客户可配置的开关模块可与电网范围内的其他模块互换
IP66 Rated
Switches manufactured to BS EN 60669-1
Customer configurable -switch modules can be interchanged with others from the Grid Range

线形图 Line Diagrams



重量和尺寸 Weights & Dimensions

型号 Cat No.	规格 Description	尺寸 (宽 x 长 x 高) 厘米 Dimension (W x L x H) cm	重量 (克) Weight (g)	CMB (m3)
SP21	20A 1G, 2路 20A 1G, 2 Way	10 x 7.5 x 10	170	0.01056
SP22	20A 2G, 2路 20A 2G, 2 Way	10 x 7.5 x 10	200	0.01056
SP23	20A 1G, 1W, "按下" 20A 1G, 1W, "PRESS"	10 x 7.5 x 10	170	0.01056
SP24	20A 1G, 双极 20A 1G, Double Pole	10 x 7.5 x 10	180	0.01056



SP13

13A插座 13A Socket Outlets

型号	规格	装箱数
Catalogue Number	Description	Carton Qty
SP13	一位 13A无开关插座 1 gang 13 amp unswitched socket	10
SP14	一位 13A双极开关插座 1 gang 13 amp double pole switched socket	10
SP15	两位 13A无开关插座 2 gang 13 amp unswitched socket	10
SP16	两位 13A双极开关插座 2 gang 13 amp double pole switched socket	10

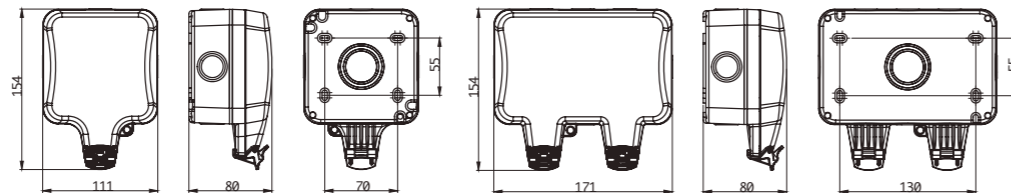
IP66 防护等级
执行BS 1363-2标准
客户可根据需求, 选配插座开关

IP66 Rated with plug in use
13A sockets manufactured to BS 1363-2
RCD socket manufactured to BS 7288. Latching type, 30mA trip current, 40mS trip
Customer configurable - housing will accept accessories from the Nexus Moulded, Metal, Grid and Euro-module ranges (Grid and Euro-module exclude Screwless Flatplate, Metal clad and Brass georgian)



SP14

线形图 Line Diagrams



SP15

技术规格 Technical Specifications

电流电压 Rating	13A250V~ 13 Amp 250V~
开关类型 Switch Type	双极 (WP21、WPL21、WP22产品) Double pole (WP21, WPL21, WP22 products)
触点间隙 Contact Gap	最小3.0mm (WP21、WPL21、WP22产品) 3.0mm minimum (WP21, WPL21, WP22 products)
终端容量 Terminal Capacity	3 x 2.5mm ² 3 x 4mm ² 2 x 6.0mm ² 3 x 2.5mm ² 3 x 4mm ² 2 x 6.0mm ²
防护等级 IP Rating	IP66
电缆接口数量 Number of cable entries	5 x 20mm. 3边各1个, 其余边2个 5 x 20mm. 1 in each of 3 sides and 2 in the remaining side
	1 个在背面钻出 20/25mm 的进孔 (WP21、WPL21、WP23 产品) 1 drill out entry 20/25mm in rear face (WP21, WPL21, WP23 products)
尺寸 Size	111mm x 154mm x 80mm (WP21、WPL21、WP23 产品) 111mm x 154mm x 80mm (WP21, WPL21, WP23 products)
	171mm x 154mm x 80mm (WP22, WP24 产品) 171mm x 154mm x 80mm (WP22, WP24 products)
RAL 颜色	RAL 7001 RAL 7001



SP16



产品特性 PRODUCT FEATURES

SG110(10A单插座)10A Single socket、 SG210(10A双插座)10A Dual socket

- 双插电源插座: 10A
- 小型断路器/漏电断路器复合型两插16A
- 1.5米导线+插头
- SG10带安全罩的电源插座
- 10A, 4组便携式电源插座, 带漏电保护功能和导线

- Double Power Outlet 10A
- MCB/RCD Combination 2poles 16A
- 1.5 metre Cable and Plug
- SG10 Safety Guard Power Outlet
- 10amp, 4 gang portable power outlet with RCD and power lead.



产品特性 PRODUCT FEATURES

SG115(15A单插座)15A Single socket、 SG215(15A双插座)15A Dual socket

- 单插电源插座: 15A
- 小型断路器/漏电断路器复合型两插20A
- 1.5米导线+插头
- SG15带安全罩的电源插座
- 15A, 2组便携式电源插座, 带漏电保护功能和导线

- Single Power Outlet 15A
- MCB/RCD Combination 2poles 20A
- 1.5 metre Cable and Plug
- Sg15 Safety Guard 4 gang power outlet
- 15 amp Safety Guard 2 gang power outlet, portable with RCD and power lead.

CABLE GLAND

防水接头



PG

WATERPROOF JOINT (DOUBLE-AND CON-MECTPR)


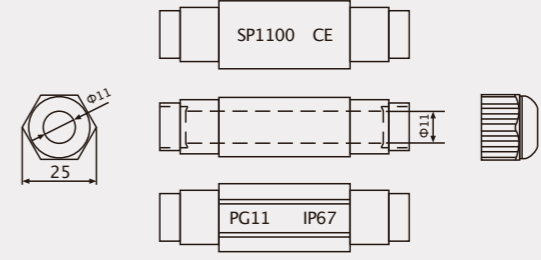
防水接头 (双头连接器)


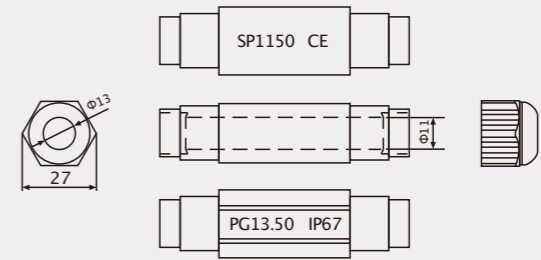


产品特性 PRODUCT FEATURES

- 用于户外电缆连接需要防水的地方，如路灯、桥梁隧道灯、园林照明、大型电子显示屏等。
- 符合标准: IEC60529 IP68
EN 60309
- 颜色可选: 灰/黑色
- For outdoor cable connections where require the waterproof function, such as street lamps, bridge and tunnel lights, garden illumination, large elec-tronic displays, etc.
- Executive standard: IEC60529 IP68
EN 60309
- Colors Available: Grey/Black

技术参数 TECHNICAL DATA

产品图片 Product Image	线路图 Wiring diagram	2芯护套线规格 2 core sheathed cable specifications	
		规格 Specification (mm ²)	电缆外径 Cable diameter(mm)
 PG11 电缆直径 ϕ 5-10mm PG11 Cable Diameter ϕ 5-10mm		2x0.2	4.2
		2x0.3	5.0
		2x0.5	5.8
		2x0.75	6.0
		2x1	6.8
		2x1.5	7.8
		2x2.5	9.6
		2x4	11.5
		2x6	13

产品图片 Product Image	线路图 Wiring diagram	3芯护套线规格 3 core sheathed cable specifications	
		规格 Specification (mm ²)	电缆外径 Cable diameter(mm)
 PG13.5 电缆直径 ϕ 6-12mm PG13.5 Cable Diameter ϕ 6-12mm		3x0.2	4.4
		3x0.3	5.3
		3x0.5	6.2
		3x0.75	6.4
		3x1	7.15
		3x1.5	8.45
		3x2.5	10.4
		3x4	12.3
		3x6	13.5



SAIPWELL ELEC.

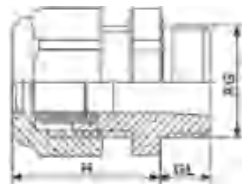
Copyright © SaipWell ELEC. All Right Reserved Deliver happiness to everyone

PG

PG TYPE CABLE GLAND PG型防水接头



外形尺寸 DIMENSIONS



RoHs
CE

IP68防尘、防水测试合格

产品特性 PRODUCT FEATURES

- 材料: 尼龙PA(UL File NO:E 240925)
 - 密封件: 丁腈橡胶 (NBR)
 - 防护等级: IP68
 - 环境温度: 静态-40°C至100°C, 短时至120°C, 动态-20°C至80°C, 短时至100°C
 - 供货颜色: 灰色 RAL7035
黑色 RAL9005
其它颜色请咨询
- Material:Nylon
 - Rubber gasket:Nitrile rubber(NBR)
 - Protection Grade: IP68
 - Ambient temperature:static-40°C to 100°C,for short time 120°C,Dynamic -20°C to 80°C,For short time 100°C
 - Color: Gray RAL7035
Black RAL9005
others color available

技术参数 TECHNICAL DATA

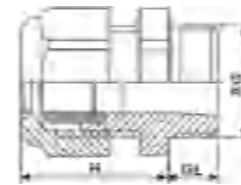
型号	规格	GL	H	φ	AG	订货号 Art.No.	
Model	mm	mm	mm	mm	mm	灰色 GRAY RAL7035	黑色 Black RAL9005
PG7	3-6.5	8	22	16	12	MP0708060	MP0708061
PG7	2-5	8	22	16	12	MP0708050	MP0708051
PG9	4-8	8	26	19	16	MP0908080	MP0908081
PG9	2-6	8	26	19	16	MP0908060	MP0908061
PG11	5-10	8	27	22	18	MP1108100	MP1108101
PG11	3-7	8	27	22	18	MP1108070	MP1108071
PG13.5	6-12	9	28	24	20	MP1309120	MP1309121
PG13.5	5-9	9	28	24	20	MP1309090	MP1309091
PG16	10-14	10	30	27	22	MP1610140	MP1610141
PG16	7-12	10	30	27	22	MP1610120	MP1610121
PG19	12-15	10	30	27/28	24	MP1910150	MP1910151
PG19	10-12	10	30	27/28	25	MP1910120	MP1910121
PG21	13-18	10	35	33	28	MP2110180	MP2110181
PG21	9-16	10	35	33	28	MP2110160	MP2110161
PG25	16-21	11	34	35/36	30	MP2511210	MP2511211
PG25	13-18	11	34	35/36	30	MP2511180	MP2511181
PG29	18-25	12	40	41/42	37	MP2912250	MP2912251
PG29	13-20	12	40	41/42	37	MP2912200	MP2912201
PG36	22-32	14	48	52/53	47	MP3614320	MP3614321
PG36	20-26	14	48	52/53	47	MP3614260	MP3614261
PG42	32-38	14	49	60/61	54	MP4214380	MP4214381
PG42	25-31	14	49	60/61	54	MP4214310	MP4214311
PG48	37-44	14	50	64/65	59	MP4814440	MP4814441
PG48	29-35	14	50	64/65	59	MP4814350	MP4814351
PG63	42-50	27	60	72	70	MP6327500	MP6327501

M型

M TYPE CABLE GLAND M型防水接头



外形尺寸 DIMENSIONS



RoHs
CE

IP68防尘、防水测试合格

产品特性 PRODUCT FEATURES

- 材料: 尼龙PA(UL File NO:E 240925)
 - 密封件: 丁腈橡胶 (NBR)
 - 防护等级: IP68
 - 环境温度: 静态-40°C至100°C, 短时至120°C, 动态-20°C至80°C, 短时至100°C
 - 供货颜色: 灰色 RAL7035
黑色 RAL9005
其它颜色请咨询
- Material:Nylon
 - Rubber gasket:Nitrile rubber(NBR)
 - Protection Grade: IP68
 - Ambient temperature:static-40°C to 100°C,for short time 120°C,Dynamic -20°C to 80°C,For short time 100°C
 - Color: Gray RAL7035
Black RAL9005
others color available

技术参数 TECHNICAL DATA

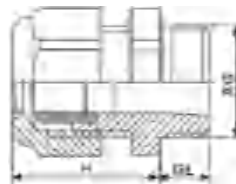
型号	规格	GL	H	φ	AG	订货号 Art.No.	
Model	mm	mm	mm	mm	mm	灰色 GRAY RAL7035	黑色 Black RAL9005
M12 ×1.5	3-6.5	8	22	16	12	M1208060	M1208061
M12 ×1.5	2-5	8	22	16	12	M1208050	M1208051
M14 ×1.5	4-8	8	26	19	14	M1408080	M1408081
M14 ×1.5	2-6	8	26	19	14	M1408060	M1408061
M16 ×1.5	4-8	8	26	19	16	M1608080	M1608081
M16 ×1.5	2-6	8	26	19	16	M1608060	M1608061
M16 ×1.5	5-10	8	27	22	16	M1608100	M1608101
M16 ×1.5	3-7	8	27	22	16	M1608070	M1608071
M18 ×1.5	5-10	8	27	22	18	M1808100	M1808101
M18 ×1.5	3-7	8	27	22	18	M1808070	M1808071
M20 ×1.5	6-12	9	28	24	20	M2009120	M2009121
M20 ×1.5	5-9	9	28	24	20	M2009090	M2009091
M20 ×1.5	10-14	10	30	27	20	M2010140	M2010141
M20 ×1.5	7-12	10	30	27	20	M2010120	M2010121
M22 ×1.5	10-14	10	30	27	22	M2210140	M2210141
M22 ×1.5	7-12	10	30	27	22	M2210120	M2210121
M24 ×1.5	12-15	10	30	27	24	M2410150	M2410151
M24 ×1.5	10-12	10	30	27	24	M2410120	M2410121
M25 ×1.5	13-18	10	35	33	25	M2510180	M2510181
M25 ×1.5	9-16	10	35	33	25	M2510160	M2510161
M27 ×1.5	13-18	10	35	33	27	M2710180	M2710181
M27 ×1.5	9-16	10	35	33	27	M2710160	M2710161
M30 ×1.5	16-21	11	34	35/36	30	M3011210	M3011211
M30 ×1.5	7-15	11	34	35/36	30	M3011150	M3011151
M32 ×1.5	12-21	11	34	36/37	32	M3211210	M3211211
M32 ×1.5	7-15	11	34	36/37	32	M3211150	M3211151
M32 ×1.5	18-25	12	40	41/42	32	M3212250	M3212251
M32 ×1.5	13-20	12	40	41/42	32	M3212200	M3212201
M36 ×1.5	18-25	12	40	41/42	36	M3612250	M3612251
M36 ×1.5	13-20	12	40	41/42	36	M3612200	M3612201
M40 ×1.5	22-32	14	48	52/53	40	M4014320	M4014321
M40 ×1.5	20-26	14	48	52/53	40	M4014260	M4014261
M50 ×1.5	32-38	14	49	60/61	50	M5014380	M5014381
M50 ×1.5	25-31	14	49	60/61	50	M5014310	M5014311
M63 ×1.5	37-44	14	50	67	63	M6314440	M6314441
M63 ×1.5	29-35	14	50	67	63	M6314350	M6314351

PGL PGL-LONG TYPE CABLE GLAND

PGL加长型防水接头



外形尺寸 DIMENSIONS



RoHs
CE

IP68防尘、防水测试合格

产品特性 PRODUCT FEATURES

- 材料: 尼龙PA(UL File NO:E 240925)
 - 密封件: 丁腈橡胶 (NBR)
 - 防护等级: IP68
 - 环境温度: 静态-40°C至100°C, 短时至120°C, 动态-20°C至80°C, 短时至100°C
 - 供货颜色: 灰色 RAL7035
黑色 RAL9005
其它颜色请咨询
- Material:Nylon
 - Rubber gasket:Nitrile rubber(NBR)
 - Protection Grade: IP68
 - Ambient temperature:stick-40°C to 100°C,for short time 120°C,Dynamic -20°C to 80°C,For short time 100°C
 - Color: Gray RAL7035
Black RAL9005
others color available

技术参数 TECHNICAL DATA

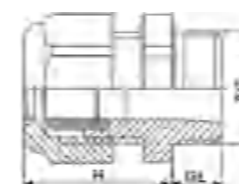
型号 Model	k/k mm	GL mm	H mm	φ mm	AG mm	订货号 Art.No.	
						灰色 GRAY RAL7035	黑色 Black RAL9005
PGL7	3-6.5	15	22	15/16	12.5	P0715060	P0715061
PGL7	2-5	15	22	15/16	12.5	P0715050	P0715051
PGL9	4-8	15	26	19	15.2	P0915080	P0915081
PGL9	2-6	15	26	19	15.2	P0915060	P0915061
PGL11	5-10	15	27	22	18.6	P1115100	P1115101
PGL11	3-7	15	27	22	18.6	P1115070	P1115071
PGL13.5	6-12	15	28	24	20.4	P1315120	P1315121
PGL13.5	5-9	15	28	24	20.4	P1315090	P1315091
PGL16	10-14	15	30	27	22.5	P1615140	P1615141
PGL16	7-12	15	30	27	22.5	P1615120	P1615121
PGL21	13-18	15	35	33	28.3	P2115180	P2115181
PGL21	9-16	15	35	33	28.3	P2115160	P2115161
PGL29	18-25	18	40	41/42	37	P2918250	P2918251
PGL29	13-20	18	40	41/42	37	P2918200	P2918201
PGL36	22-32	18	48	52/53	47	P3618320	P3618321
PGL36	20-26	18	48	52/53	47	P3618260	P3618261
PGL42	32-38	18	49	60/61	54	P4218380	P4218381
PGL42	25-31	18	49	60/61	54	P4218310	P4218311
PGL48	37-44	18	50	64	59.3	P4818440	P4818441
PGL48	29-35	18	50	64	59.3	P4818350	P4818351

ML ML-LONG TYPE CABLE GLAND

ML加长型防水接头



外形尺寸 DIMENSIONS



RoHs
CE

IP68防尘、防水测试合格

产品特性 PRODUCT FEATURES

- 材料: 尼龙PA(UL File NO:E 240925)
 - 密封件: 丁腈橡胶 (NBR)
 - 防护等级: IP68
 - 环境温度: 静态-40°C至100°C, 短时至120°C, 动态-20°C至80°C, 短时至100°C
 - 供货颜色: 灰色 RAL7035
黑色 RAL9005
其它颜色请咨询
- Material:Nylon
 - Rubber gasket:Nitrile rubber(NBR)
 - Protection Grade: IP68
 - Ambient temperature:stick-40°C to 100°C,for short time 120°C,Dynamic -20°C to 80°C,For short time 100°C
 - Color: Gray RAL7035
Black RAL9005
others color available

技术参数 TECHNICAL DATA

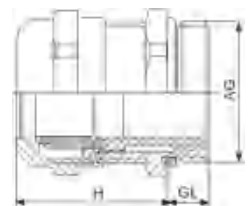
型号 Model	k/k mm	GL mm	H mm	φ mm	AG mm	订货号 Art.No.	
						灰色 GRAY RAL7035	黑色 Black RAL9005
ML12 ×1.5	3-6.5	15	22	15/16	12	M1215060	M1215061
ML12 ×1.5	2-5	15	22	15/16	12	M1215050	M1215051
ML16 ×1.5	4-8	15	26	19	16	M1615080	M1615081
ML16 ×1.5	2-6	15	26	19	16	M1615060	M1615061
ML16 ×1.5	5-10	15	27	22	16	M1615100	M1615101
ML16 ×1.5	3-7	15	27	22	16	M1615070	M1615071
ML18 ×1.5	5-10	15	27	22	18	M1815100	M1815101
ML18 ×1.5	3-7	15	27	22	18	M1815070	M1815071
ML20 ×1.5	6-12	15	28	24	20	M2015120	M2015121
ML20 ×1.5	5-9	15	28	24	20	M2015090	M2015091
ML20 ×1.5	10-14	15	30	27	20	M2015140	M2015141
ML20 ×1.5	7-12	15	30	27	20	M2015120	M2015121
ML22 ×1.5	10-14	15	30	27	22	M2215140	M2215141
ML22 ×1.5	7-12	15	30	27	22	M2215120	M2215121
ML25 ×1.5	13-18	15	35	33	25	M2515180	M2515181
ML25 ×1.5	9-16	15	35	33	25	M2515160	M2515161
ML32 ×1.5	18-25	15	40	41/42	32	M3215250	M3215251
ML32 ×1.5	13-20	15	40	41/42	32	M3215200	M3215201
ML40 ×1.5	19-28	18	43	45/46	40	M4018280	M4018281
ML40 ×1.5	15-23	18	43	45/46	40	M4018230	M4018231
ML40 ×1.5	22-32	18	48	52/53	40	M4018320	M4018321
ML40 ×1.5	20-26	18	48	52/53	40	M4018260	M4018261
ML50 ×1.5	27-35	18	48	55/56	50	M5018350	M5018351
ML50 ×1.5	22-29	18	48	55/56	50	M5018290	M5018291
ML50 ×1.5	32-38	18	49	60/61	50	M5018380	M5018381
ML50 ×1.5	25-31	18	49	60/61	50	M5018310	M5018311
ML63 ×1.5	37-44	18	50	64	63	M6318440	M6318441
ML63 ×1.5	29-35	18	50	64	63	M6318350	M6318351
ML63 ×1.5	34-45	19	57	67/68	63	M6319450	M6319451
ML63 ×1.5	28-38	19	57	67/68	63	M6319390	M6319391

PG

PG TYPE METAL CABLE GLAND PG型金属防水接头



外形尺寸 DIMENSIONS



RoHs
CE

IP68防尘、防水测试合格

产品特性 PRODUCT FEATURES

- 材料：黄铜镀镍
 - 夹紧件：尼龙PA (UL File NO:E 240925)
 - 密封件：丁腈橡胶 (NBR)
耐候橡胶 (EPDM)
 - 防护等级：IP68 (旋紧部位)
 - 环境温度：-40°C至100°C，短时至120°C
- Material: brass plating nickel
 - Clamping: PA (UL File NO:E 240925)
 - Rubber gasket: Nitrile rubber(NBR)
Protection Grade: IP68
 - Ambient temperature: stick-40°C
to 100°C,for short time 120°C,Dynamic
-20°C to 80°C,For short time 100°C

技术参数 TECHNICAL DATA

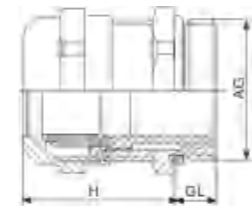
型号	￠k	GL	H	ψ	AG	订货号
Model	mm	mm	mm	mm	mm	Art.No.
PG7	3-6.5	5	19	14	12.5	P070806
PG7	2-5	5	19	14	12.5	P070505
PG9	4-8	6	20	17	15.2	P090608
PG9	2-6	6	20	17	15.2	P090606
PG11	5-10	6	21	20	18.6	P110610
PG11	3-7	6	21	20	18.6	P110607
PG13.5	6-12	6.5	22	22	20.4	P130712
PG13.5	5-9	6.5	22	22	20.4	P130709
PG16	10-14	6.5	23	24	22.5	P160714
PG16	7-12	6.5	23	24	22.5	P160712
PG21	13-18	7	25	30	28.3	P210718
PG21	9-16	7	25	30	28.3	P210716
PG29	18-25	8	29	40	37	P290825
PG29	13-20	8	29	40	37	P290820
PG36	22-32	8	35	50	47	P360832
PG36	20-26	8	35	50	47	P360826
PG42	32-38	9	37	57	54	P420938
PG42	25-31	9	37	57	54	P420931
PG48	37-44	10	38	64	59.3	P481044
PG48	29-35	10	38	64	59.3	P481035

M型

M TYPE METAL CABLE GLAND M型金属防水接头



外形尺寸 DIMENSIONS



RoHs
CE

IP68防尘、防水测试合格

产品特性 PRODUCT FEATURES

- 材料：黄铜镀镍
 - 夹紧件：尼龙PA (UL File NO:E 240925)
 - 密封件：丁腈橡胶 (NBR)
耐候橡胶 (EPDM)
 - 防护等级：IP68 (旋紧部位)
 - 环境温度：-40°C至100°C，短时至120°C
- Material: brass plating nickel
 - Clamping: PA (UL File NO:E 240925)
 - Rubber gasket: Nitrile rubber(NBR)
Protection Grade: IP68
 - Ambient temperature: stick-40°C
to 100°C,for short time 120°C,Dynamic
-20°C to 80°C,For short time 100°C

技术参数 TECHNICAL DATA

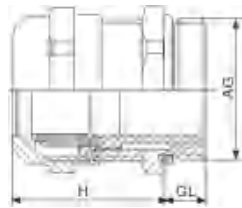
型号	￠k	GL	H	ψ	AG	订货号
Model	mm	mm	mm	mm	mm	Art.No.
M12 ×1.5	3-6.5	5	19	14	12	T.M120506
M12 ×1.5	2-5	5	19	14	12	T.M120505
M16 ×1.5	4-8	6	20	17	16	T.M160608
M16 ×1.5	2-6	6	20	17	16	T.M160606
M16 ×1.5	5-10	6	21	20	16	T.M160610
M16 ×1.5	3-7	6	21	20	16	T.M160607
M18 ×1.5	5-10	6	21	20	18	T.M180610
M18 ×1.5	3-7	6	21	20	18	T.M180607
M20 ×1.5	6-12	6.5	22	22	20	T.M200712
M20 ×1.5	5-9	6.5	22	22	20	T.M200709
M20 ×1.5	10-14	6.5	23	24	20	T.M200714
M20 ×1.5	7-12	6.5	23	24	20	T.M200712
M22 ×1.5	10-14	6.5	23	24	22	T.M220714
M22 ×1.5	7-12	6.5	23	24	22	T.M220712
M25 ×1.5	13-18	7	25	30	25	T.M250718
M25 ×1.5	9-16	7	25	30	25	T.M250716
M32 ×1.5	18-25	8	29	40	32	T.M320825
M32 ×1.5	13-20	8	29	40	32	T.M320820
M40 ×1.5	22-32	8	35	50	40	T.M400832
M40 ×1.5	20-26	8	35	50	40	T.M400826
M50 ×1.5	32-38	9	37	57	50	T.M500938
M50 ×1.5	25-31	9	37	57	50	T.M500931
M63 ×1.5	37-44	10	38	68	63	T.M631044
M63 ×1.5	29-35	10	38	68	63	T.M631035

PGL LONG TYPE METAL CABLE GLAND

PGL加长型金属防水接头



外形尺寸 DIMENSIONS



RoHs
CE

IP68防尘、防水测试合格

产品特性 PRODUCT FEATURES

- 材料：黄铜镀镍
- 夹紧件：尼龙PA (UL File NO:E 240925)
- 密封件：丁腈橡胶 (NBR)
耐候橡胶 (EPDM)
- 防护等级：IP68 (旋紧部位)
- 环境温度：-40°C至100°C，短时至120°C
- Material: brass plating nickel
- Clamping: PA (UL File NO:E 240925)
- Rubber gasket: Nitrile rubber(NBR)
Protection Grade: IP68
- Ambient temperature: stick-40°C
to 100°C,for short time 120°C,Dynamic
-20°C to 80°C,For short time 100°C

技术参数 TECHNICAL DATA

型号	φk	GL	H	φ	AG	订货号
Model	mm	mm	mm	mm	mm	Art.No.
PGL7	3-6.5	10	19	14	12.5	T.P071006
PGL7	2-5	10	19	14	12.5	T.P071005
PGL9	4-8	10	20	17	15.2	T.P091008
PGL9	2-6	10	20	17	15.2	T.P091006
PGL11	5-10	10	21	20	18.6	T.P111010
PGL11	3-7	10	21	20	18.6	T.P111007
PGL13.5	6-12	10	22	22	20.4	T.P131012
PGL13.5	5-9	10	22	22	20.4	T.P131009
PGL16	10-14	10	23	24	22.5	T.P161014
PGL16	7-12	10	23	24	22.5	T.P161012
PGL21	13-18	12	25	30	28.3	T.P211218
PGL21	9-16	12	25	30	28.3	T.P211216
PGL29	18-25	12	29	40	37	T.P291225
PGL29	13-20	12	29	40	37	T.P291220
PGL36	22-32	15	35	50	47	T.P361532
PGL36	20-26	15	35	50	47	T.P361526
PGL42	32-38	15	37	57	54	T.P421538
PGL42	25-31	15	37	57	54	T.P421531
PGL48	37-44	15	38	64	59.3	T.P481544
PGL48	29-35	15	38	64	59.3	T.P481535

ML LONG TYPE METAL CABLE GLAND

ML加长型金属防水接头



外形尺寸 DIMENSIONS



RoHs
CE

IP68防尘、防水测试合格

产品特性 PRODUCT FEATURES

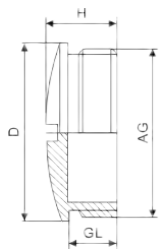
- 材料：黄铜镀镍
- 夹紧件：尼龙PA (UL File NO:E 240925)
- 密封件：丁腈橡胶 (NBR)
耐候橡胶 (EPDM)
- 防护等级：IP68 (旋紧部位)
- 环境温度：-40°C至100°C，短时至120°C
- Material: brass plating nickel
- Clamping: PA (UL File NO:E 240925)
- Rubber gasket: Nitrile rubber(NBR)
Protection Grade: IP68
- Ambient temperature: stick-40°C
to 100°C,for short time 120°C,Dynamic
-20°C to 80°C,For short time 100°C

技术参数 TECHNICAL DATA

型号	φk	GL	H	φ	AG	订货号
Model	mm	mm	mm	mm	mm	Art.No.
ML12 ×1.5	3-6.5	10	19	14	12	T.M121006
ML12 ×1.5	2-5	10	19	14	12	T.M121005
ML16 ×1.5	4-8	10	20	17	16	T.M161008
ML16 ×1.5	2-6	10	20	17	16	T.M161006
ML16 ×1.5	5-10	10	21	20	16	T.M161010
ML16 ×1.5	3-7	10	21	20	16	T.M161007
ML18 ×1.5	5-10	10	21	20	18	T.M181010
ML18 ×1.5	3-7	10	21	20	18	T.M181007
ML20 ×1.5	6-12	10	22	22	20	T.M201012
ML20 ×1.5	5-9	10	22	22	20	T.M201009
ML20 ×1.5	10-14	10	23	24	20	T.M201014
ML20 ×1.5	7-12	10	23	24	20	T.M201012
ML22 ×1.5	10-14	10	23	24	22	T.M221014
ML22 ×1.5	7-12	10	23	24	22	T.M221012
ML25 ×1.5	13-18	12	25	30	25	T.M251218
ML25 ×1.5	9-16	12	25	30	25	T.M251216
ML32 ×1.5	18-25	12	29	40	32	T.M321225
ML32 ×1.5	13-20	12	29	40	32	T.M321220
ML40 ×1.5	22-32	15	35	50	40	T.M401532
ML40 ×1.5	20-26	15	35	50	40	T.M401526
ML50 ×1.5	32-38	15	37	57	50	T.M501538
ML50 ×1.5	25-31	15	37	57	50	T.M501531
ML63 ×1.5	37-44	15	38	68	63	T.M631544
ML63 ×1.5	29-35	15	38	68	63	T.M631535



外形尺寸 DIMENSIONS



产品特性 PRODUCT FEATURES

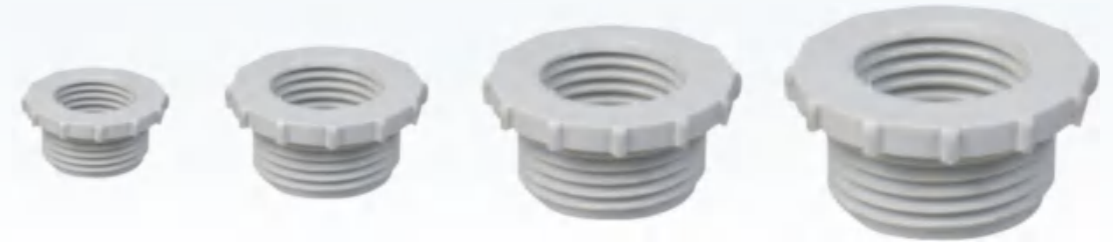
CO-PG/CO-M型

- 材料: 尼龙PA
- 防护等级: IP54
- 环境温度: -20°C至80°C
- 供货颜色: 灰色RAL7035
黑色RAL9005
其它颜色请咨询

- Material: Nylon
- Protection Grade: IP54
- Ambient temperature: -20°C to 80°C
- Color: Gray RAL7035
Black RAL9005
others color available

技术参数 TECHNICAL DATA

型号 Model	GL mm	H mm	D mm	AG mm	订货号 Art.No.	
					灰色 GRAY RAL7035	黑色 Black RAL9005
CO-PG7	8.5	12.5	15	12.5	P0710PA	P0711PA
CO-PG9	8.5	13	19	15.2	P0910PA	P0911PA
CO-PG11	9	13	22	18.6	P1110PA	P1111PA
CO-PG13.5	9	13	25	20.4	P1310PA	P1311PA
CO-PG16	10.5	15	27	22.5	P1610PA	P1611PA
CO-PG21	10.5	15.5	33	28.3	P2110PA	P2111PA
CO-PG29	11.5	16	44	37	P2910PA	P2911PA
CO-PG36	13.5	18	55	47	P3610PA	P3611PA
CO-PG42	13.5	18.5	62	54	P4210PA	P4211PA
CO-PG48	14.5	19.5	68	59.3	P4810PA	P4811PA
CO-M12	8.5	12.5	15	12	M1210PA	M1211PA
CO-M16	8.5	13	19	16	M1610PA	M1611PA
CO-M18	9	13	22	18	M1810PA	M1811PA
CO-M20	9	13	25	20	M2010PA	M2011PA
CO-M22	10.5	15	27	22	M2210PA	M2211PA
CO-M25	10.5	15.5	30	25	M2510PA	M2511PA
CO-M27	10.5	15.5	33	27	M2710PA	M2711PA
CO-M32	10.5	16	38	32	M3210PA	M3211PA
CO-M40	11.5	16	46	40	M4010PA	M4011PA
CO-M50	13.5	18	56	50	M5010PA	M5011PA
CO-M63	14	19	68	63	M6310PA	M6311PA



外形尺寸 DIMENSIONS



产品特性 PRODUCT FEATURES

CO-PG/CO-M型

- 材料: 尼龙PA
- 防护等级: IP54
- 环境温度: -20°C至80°C
- 供货颜色: 灰色RAL7035
黑色RAL9005
其它颜色请咨询

- Material: Nylon
- Protection Grade: IP54
- Ambient temperature: -20°C to 80°C
- Color: Gray RAL7035
Black RAL9005
others color available

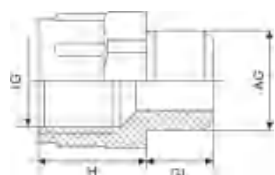
技术参数 TECHNICAL DATA

型号 Model	IG mm	GL mm	H mm	D mm	AG mm	G mm	订货号 Art.No.	
							灰色 GRAY RAL7035	黑色 Black RAL9005
SC-PG13.5	PG9	8	12	27	20.4	15.2	P13P090	P13P091
SC-PG16	PG9	10	13	29	22.5	15.2	P16P090	P16P091
SC-PG16	PG11	10	13	29	22.5	18.6	P16P110	P16P111
SC-PG21	PG13.5	11	13.5	36	28.3	20.4	P21P130	P21P131
SC-PG21	PG16	11	13.5	36	28.3	22.5	P21P160	P21P161
SC-PG29	PG21	11	13.5	46	37	28.3	P29P210	P29P211
SC-PG36	PG29	11	15	58	47	37	P36P290	P36P291
SC-M20×1.5	M12×1.5	8	12	27	20	12	M20M120	M20M121
SC-M20×1.5	M16×1.5	8	12	27	20	16	M20M160	M20M161
SC-M25×1.5	M16×1.5	10	13	29	25	16	M25M160	M25M161
SC-M25×1.5	M20×1.5?	10	13	29	25	20	M25M200	M25M201
SC-M32×1.5	M20×1.5	11	13.5	36	32	20	M32M200	M32M201
SC-M32×1.5	M25×1.5	11	13.5	36	32	25	M32M250	M32M251
SC-M40×1.5	M25×1.5	11	13.5	46	40	25	M40M450	M40M251
SC-M40×1.5	M32×1.5	11	13.5	46	40	32	M40M320	M40M321
SC-M50×1.5	M32×1.5	11	15	58	50	32	M50M320	M50M321
SC-M50×1.5	M40×1.5	11	15	58	50	40	M50M400	M50M401

RC-PG 增颈衔接件



外形尺寸 DIMENSIONS



产品特性 PRODUCT FEATURES

RC-PG/RC-M型

- 材料: 尼龙PA
- 环境温度: -20℃至80℃
- 供货颜色: 灰色RAL7035
黑色RAL9005
其它颜色请咨询

- Material:Nylon
- Ambient temperature:-20°C to 80°C
- Color: Gray RAL7035
Black RAL9005
others color available

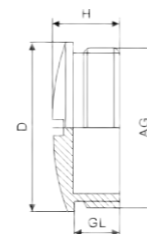
技术参数 TECHNICAL DATA

型号 Model	IG mm	GL mm	H mm	AG mm	G mm	订货号 Art.No.	
						灰色 GRAY RAL7035	黑色 Black RAL9005
RC-PG7	PG9	15	19	12.5	15.2	P07P090	P07P091
RC-PG9	PG13.5	15	19	15.2	20.4	P09P130	P09P131
RC-PG13.5	PG21	15	19	20.4	28.3	P13P210	P13P211
RC-PG21	PG29	15	19	28.3	37	P21P290	P21P291
RC-PG29	PG36	15	19.5	37	47	P29P360	P29P361
RC-PG36	PG42	15	19.5	47	54	P36P420	P36P421
RC-PG42	PG48	15	19.5	54	59.3	P42P480	P42P481
RC-M12×1.5	M16×1.5	15	19	12	16	M07M160	M70M161
RC-M16×1.5	M20×1.5	15	19	16	20	M16M200	M16M201
RC-M20×1.5	M25×1.5	15	19	20	25	M20M250	M20M251
RC-M25×1.5	M32×1.5	15	19	25	32	M25M320	M25M321
RC-M32×1.5	M40×1.5	15	19.5	32	40	M32M400	M32M401
RC-M40×1.5	M50×1.5	15	19.5	40	50	M40M500	M40M501
RC-M50×1.5	M63×1.5	15	19.5	50	63	M50M630	M50M631

MCO 圆形金属堵塞件



外形尺寸 DIMENSIONS



产品特性 PRODUCT FEATURES

MCO-PMCO-M型

- 材料: 黄铜镀镍
- O-密封件: 丁腈橡胶(NBR)耐侯橡胶(EPDM)
- 防护等级: IP65
- 环境温度: -40℃至100℃

- Material:Brass
- Rubber:NBR & EPDM
- Protection Degree: IP65
- Working Temp:-40°Cto 100°C

技术参数 TECHNICAL DATA

型号 Model	GL mm	H mm	D mm	AG mm	订货号 Art.No.
					黑色 Black RAL9005
MCO-PG7	5	8	14	12.5	T.P071
MCO-PG9	6	9	17	15.2	T.P091
MCO-PG11	6	9	20	18.6	T.P111
MCO-PG13.5	6.5	9.5	22	20.4	T.P131
MCO-PG16	6.5	9.5	24	22.5	T.P161
MCO-PG21	7	11	30	28.3	T.P211
MCO-PG29	8	12	39	37	T.P291
MCO-PG36	9	15	50	47	T.P361
MCO-PG42	10	16	57	54	T.P421
MCO-PG48	10	16	64	59.3	T.P481
MCO-M12×1.5	5	8	14	12	T.M121
MCO-M16×1.5	6	9	18	16	T.M161
MCO-M18×1.5	6	9	20	18	T.M181
MCO-M20×1.5	6.5	9.5	22	20	T.M201
MCO-M22×1.5	6.5	9.5	24	22	T.M221
MCO-M25×1.5	7	11	28	25	T.M251
MCO-M32×1.5	8	12	35	32	T.M321
MCO-M40×1.5	9	15	44	40	T.M401
MCO-M50×1.5	10	16	54	50	T.M501
MCO-M63×1.5	10	16	70	63	T.M631



外形尺寸 DIMENSIONS



产品特性 PRODUCT FEATURES

软管快速接头

应用特点：通用的工业尼龙制品，仅需插入软管便可快速地完成连接固定。

软管快速接头-弯角形

应用特点：通用的工业尼龙制品，用于线缆出线弯角的软管保护连接，仅需插入软管旋紧接头，便可快捷完成连接固定。

软管

应用特点：塑料制软管，耐腐蚀、重量轻、强度高，并且能耐受一定高温的软管，能够有效的全面保护线缆。

PG型

材料：尼龙PA(UL FileNO:E240925)
防护等级：IP54(用O-密封圈且固定安装：IP65)
环境温度：-20℃至80℃
供货颜色：黑色RAL9005其它颜色请询问

技术参数 TECHNICAL DATA

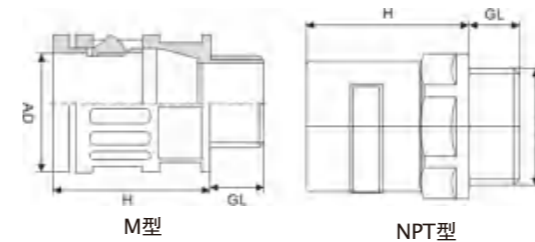
型号 Model	GL mm	H mm	AG mm	适配软管 Suit for tube	订货号 黑色 Blalk RAL9005
PG7	10	22.5	12.5	AD10	P07D101
PG9	10	22.5	15.2	AD13	P09D131
PG11	10	25	18.6	AD15.8	P11D161
PG13.5	11	29	20.4	AD18	P13D181
PG16	12	31.5	22.5	AD21.2	P16D211
PG21	12	34	28.3	AD28.5	P21D281
PG29	12	36	37	AD34.5	P29D341
PG36	13	38.5	47	AD42.5	P36D421
PG48	15	39	59.3	AD54.5	P48D541



M型

NPT型

外形尺寸 DIMENSIONS



M型

NPT型

产品特性 PRODUCT FEATURES

FT-M/FT-NPT型

- 材料：尼龙PA
- 防护等级：IP54
(用O-密封圈且固定安装：IP65)
- 环境温度：-20℃至80℃
- 供货颜色：黑色RAL9005
其它颜色请询问

- Material:Nylon
- Protection Grade:IP54
- Ambient temperature:-20℃ to 80℃
- Color: Black RAL9005
others color available

技术参数 TECHNICAL DATA

型号 Model	GL mm	H mm	AG mm	适配软管 Suit for tube	订货号 黑色 Blalk RAL9005
FT-M12×1.5	10	22.5	12	AD10	M12D101
FT-M16×1.5	10	22.5	16	AD13	M16D131
FT-M18×1.5	10	25	18	AD15.8	M18D161
FT-M20×1.5	11	29	20	AD18	M20D181
FT-M22×1.5	12	31.5	22	AD21.2	M22D211
FT-M25×1.5	12	34	25	AD28.5	M25D281
FT-M32×1.5	12	36	32	AD34.5	M32D341
FT-M40×1.5	13	38.5	40	AD42.5	M40D421
FT-M63×1.5	15	39	63	AD54.5	M63D541
FT-NPT3/8	15	30	17	AD13	N38D131
FT-NPT1/2	13	32	21.2	AD21.2	N12D211
FT-NPT3/4	13	36	26.2	AD28.5	N34D281
FT-NPT1"	15	38	33.3	AD34.5	N10D341

AD FLEXIBLE TUBE

FT-AD AD型软管



外形尺寸 DIMENSIONS



产品特性 PRODUCT FEATURES

尼龙PA软管/聚乙烯PE软管

- 材料: 尼龙PA/聚乙烯 PE
- 环境温度: -40°C至100°C / -40°C至80°C
- 弯曲性能: 很好
- 抗压性能/100mm: >450牛顿/ >200牛顿
- 有害成份: 不含卤素和镉元素
- 抗腐蚀性: 抗酒精、脂肪、燃料、无机油、弱酸弱碱类物质/抗碱
- 供货颜色: 黑色 RAL9005 其它颜色请咨询

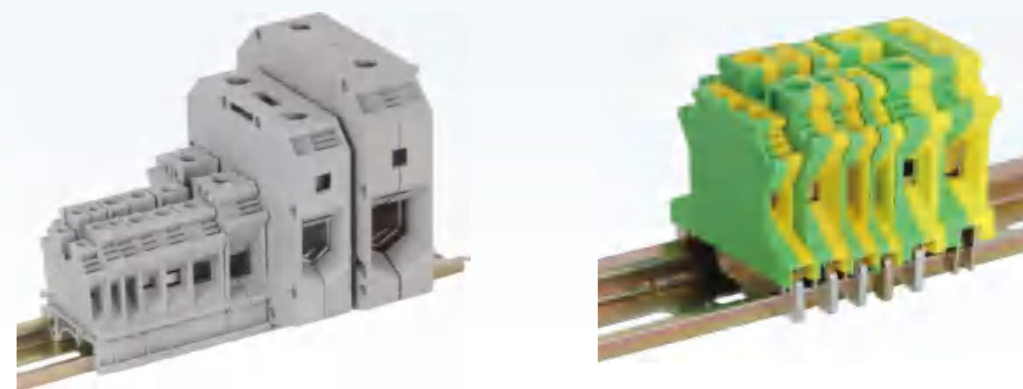
- Material: Nylon PA/Pdytene PE
- Working temp: -40°C to 100°C
-40°C to 80°C
- Color: Black RAL9005

技术参数 TECHNICAL DATA

型号 Model	d mm	D mm	订货号 黑色 Blak RAL9005
FT-AD10	7	10	D101PA
FT-AD13	10	13	D131PA
FT-AD15.8	13	15.8	D161PA
FT-AD18	14	18	D181PA
FT-AD20	16	20	D201PA
FT-AD21.2	17	21.2	D211PA
FT-AD25	20	25	D251PA
FT-AD28.5	22.5	28.5	D281PA
FT-AD34.5	28.5	34.5	D341PA
FT-AD42.5	35	42.5	D421PA
FT-AD54.5	43	54.5	D541PA
FT-AD10	7	10	D101PE
FT-AD13	10	13	D131PE
FT-AD15.8	13	15.8	D161PE
FT-AD18	14	18	D181PE
FT-AD20	16	20	D201PE
FT-AD21.2	17	21.2	D211PE
FT-AD25	20	25	D251PE
FT-AD28.5	22.5	28.5	D281PE
FT-AD34.5	28.5	34.5	D341PE
FT-AD42.5	35	42.5	D421PE
FT-AD54.5	43	54.5	D541PE

UK TERMINAL BLOCKS

UK 接线端子



UK系列通用接线端子 UK SERIES UNIVERSAL TERMINAL BLOCKS

型号 Model	导线截面 wire section mm ²	额定电流(A) Rated current(A)	额定电压(V) Rated voltage(V)	高x宽x厚(mm) HxWxD(mm)
UK1.5N	0.2-4	32	690V	42X42.5X5.7
UK2.5B	0.2-4	32	690V	42X42.5X6.2
UK3N	0.2-4	32	800V	47X42.5X5.2
UK5N	0.2-6	32	800V	47X42.5X6.2
UK6N	0.2-10	57	800V	47X42.5X8.2
UK10N	0.5-16	76	800V	47X42.5X10.2
UK16N	2.5-25	101	800V	54X42.5X12.2
UK35N	10-35	125	800V	51X55X15.3

UK系列通用接地端子 UK SERIES CURRENCY EARTHING TERMINAL

型号 Model	导线截面 wire section mm ²	额定电流(A) Rated current(A)	额定电压(V) Rated voltage(V)	高x宽x厚(mm) HxWxD(mm)
USLKG2.5	0.2-4	32A		42X42.5X6.2
USLKG3	0.2-4	32A		47X42.5X5.2
USLKG5	0.2-4	34A		47X42.5X6.2
USLKG6	0.2-10	57A		47X42.5X8.2
USLKG10	0.5-16	76A		47X42.5X10.2
USLKG16	2.5-25	101A		47X42.5X12.2
USLKG35	10-35	125A		51X55X15.3
UISLKG50	25-50	150A	1000V	83.5X70.5X20

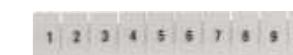
UK系列端子附件 UK SERIES TERMINAL ATTACHMENT



E/UK 紧固件
E/UK fastener



挡板
Separator



标记条 Marking strip



连接条 Connector strip

SAK JXB

TERMINAL BLOCKS 接线端子



SAK/JXB系列组合接地端子 SAK/JXB SERIES COMBINED TERMINAL BLOCKS

型号 Model	导线截面 wire section mm ²	额定电流(A) Rated current(A)	额定电压(V) Rated voltage(V)	高x宽x厚(mm) HxWxD(mm)
SAK 2.5EN	0.2-2.5	24A	800V	46.5X41X6
SAK 4EN	0.2-4	32A	800V	52X42X6.5
SAK 6EN	0.2-6	41A	800V	52X42X8
SAK 10EN	0.2-10	57A	800V	52X42X10
SAK 16EN	0.5-16	76A	800V	52X42X12
SAK 25EN	0.5-16	100A	800V	52X42X14.5
SAK 35EN	10-35	125A	800V	57.5X50X18
SAK 70/35EN	25-70	192A	800V	87X75X22
SAK RD	0.2-4	6.3A	500V	48.5X58X6
DK 4Q/35	0.2-4	32A	500V	60.5X54X6
SAK WTK	0.2-4	41A	400V	48.5X65X8

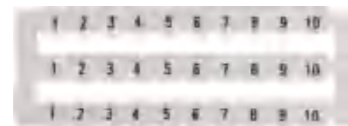
SAK/JXB系列通用接地端子 SAK/JXB SERIES CONNECTING-GROUND TERMINAL BLOCKS

型号 Model	导线截面 wire section mm ²	高x宽x厚(mm) HxWxD(mm)	颜色 Colour
EK 2.5/3.5	0.2-2.5	42x56x18	黄绿色(yellow and green)
EK 4/35	0.2-4	44x56x7	黄绿色(yellow and green)
EK 6/35	0.2-6	44x56x8	黄绿色(yellow and green)
EK 10/35	0.5-10	44x56x10	黄绿色(yellow and green)
EK 16/35	0.5-16	50x56x12	黄绿色(yellow and green)
EK 35/35	0.5-35	50x56x12	黄绿色(yellow and green)

SAK系列端子附件 SAK SERIES TERMINAL ATTACHMENT



挡板
Separator



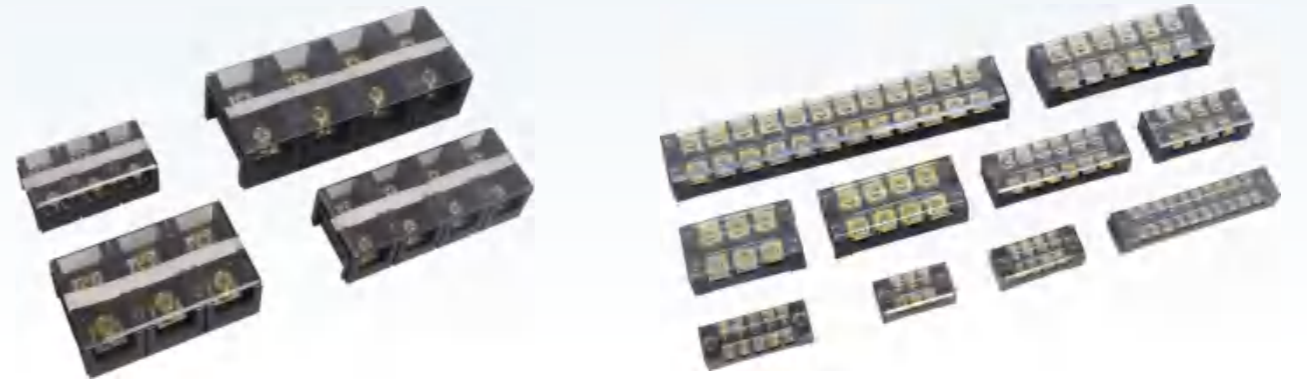
标记条
Marking strip



连接条
Connector strip

TC TB

TERMINAL BLOCKS 接线端子



TC系列固定式接线端子 TC SERIES FIXED TERMINAL BLOCKS

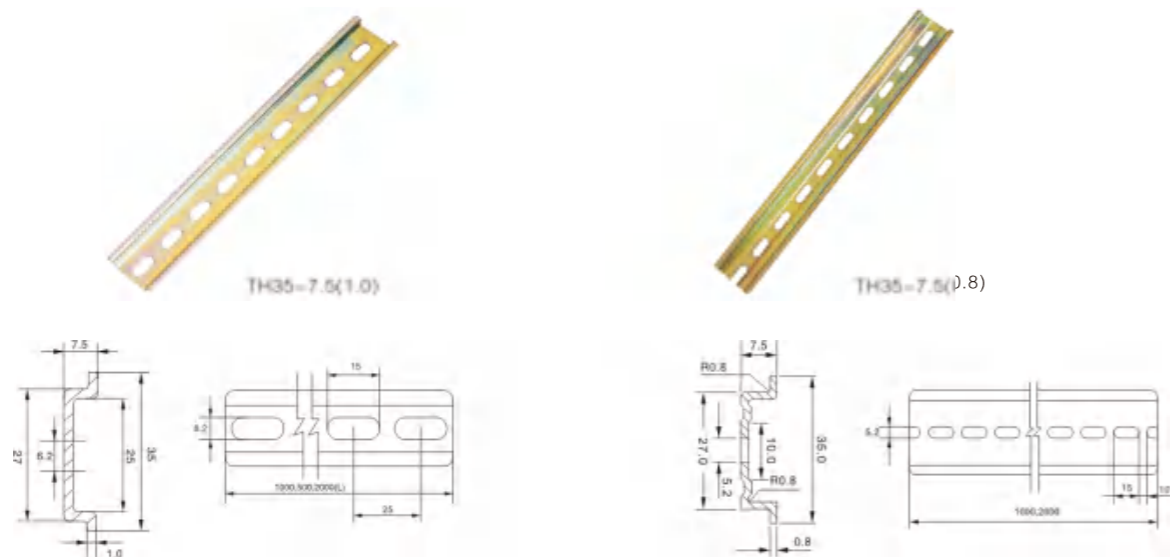
型号 Model	导线截面 wire section mm ²	额定电流(A) Rated current(A)	额定电压(V) Rated voltage(V)	高x宽x厚(mm) HxWxD(mm)
TC-603	14	60	600	85X43X32.5
TC-604	14	60	600	112X43X32.5
TC-1002	22	100	600	68X54.5X37.8
TC-1003	22	100	600	104X54.5X37.8
TC-1004	22	100	600	136X55.5X37.8
TC-1503	60	150	600	117X67X40.8
TC-1504	60	150	600	157X67X40.8
TC-2003	100	200	600	134X72X46.5
TC-2004	100	200	600	177X72X46.5
TC-3003	150	300	600	164X90.5X50.6
TC-3004	150	300	600	220X98.4X50.6
TC-4003	200	400	600	164X90.5X50.6
TC-4004	200	400	600	220X98.4X50.6
TC-6003	300	600	600	205X100X75
TC-6004	300	600	600	275X100X75

TB系列固定式接线端子 TB SERIES FIXED TERMINAL BLOCKS

型号 Model	导线截面 wire section mm ²	额定电流(A) Rated current(A)	额定电压(V) Rated voltage(V)	高x宽x厚(mm) HxWxD(mm)
TB-1503	0.5-1.5	15	600	46.5X22X17.5
TB-1504	0.5-1.5	15	600	55.5X22X17.5
TB-1505	0.5-1.5	15	600	63X22X17.5
TB-1506	0.5-1.5	15	600	73.5X22X17.5
TB-1510	0.5-1.5	15	600	103X22X17.5
TB-1512	0.5-1.5	15	600	128.5X22X17.5
TB-2503	0.5-2.5	25	600	55X30X19
TB-2504	0.5-2.5	25	600	67X30X19
TB-2505	0.5-2.5	25	600	79X30X19
TB-2506	0.5-2.5	25	600	91X30X19
TB-2510	0.5-2.5	25	600	140X30X19
TB-2512	0.5-2.5	25	600	163X30X19
TB-3503	0.5-2.5	35	600	50X30X19
TB-3504	0.5-2.5	35	600	67X30X19
TB-3506	0.5-2.5	35	600	91X30X19
TB-3512	1.5-4	35	600	163X30X19
TB-4503	1.5-4	45	600	70X38X23.5
TB-4504	1.5-4	45	600	85X38X23.5
TB-4505	1.5-4	45	600	102.5X38X23.5
TB-4506	1.5-4	45	600	120.5X38X23.5
TB-4512	1.5-4	45	600	222X38X23.5
TB-60A/3P	2.5-6	60	600	125X34X22
TB-60A/4P 6P/12P	2.5-6	60	600	200X34X22
TB-100A/3P/4P 6P/12P	2.5-10	100	600	170X39X23

TH35 TH SERIES DIN RAIL(STEEL)

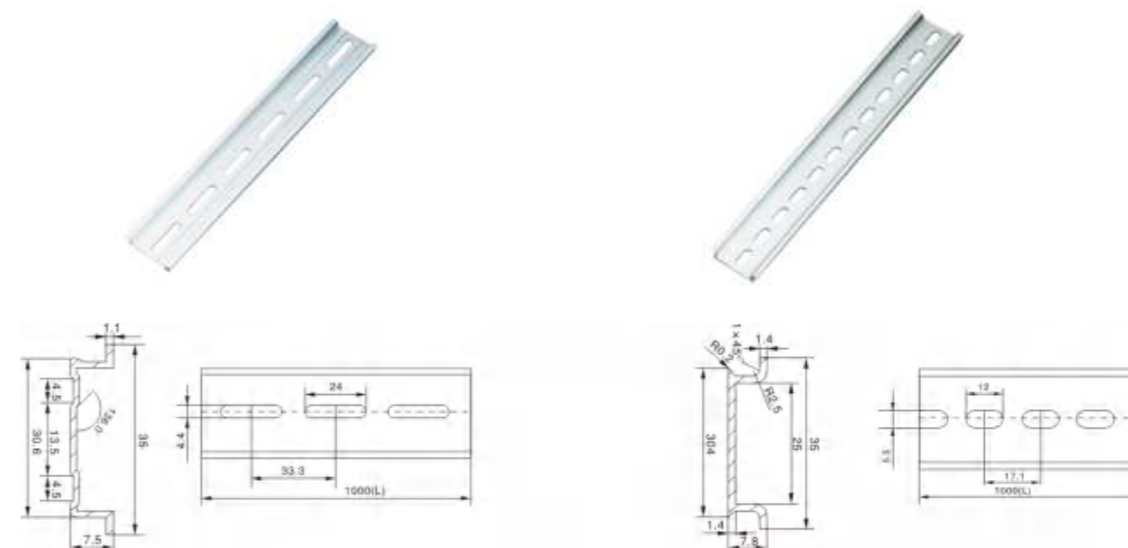
TH系列钢质导轨



电气安装轨	型号规格 Model	型号规格 Model
DIN Rail	TH35-7.5(1.0)	TH35-7.5(0.8)
尺寸 Size	宽×高×厚 35×7.5×1.0mm Width×High×Deep	宽×高×厚 35×7.5×0.8mm Width×High×Deep
开孔尺寸 Hold size	φ6.2×15mm	φ6.2×15mm
长度 Length	1米或2米 1m or 2m	1米或2米 1m or 2m
订货号 Code	06060	06062

TH35 TH SERIES DIN RAIL(ALUMINUM)

TH系列铝质导轨



电气安装轨	型号规格 Model	型号规格 Model
DIN Rail	TH35-7.5(1.1)	TH35-7.5(0.8)
尺寸 size	宽×高×厚 35×7.5×1.1mm width×high×deep	宽×高×厚 35×7.5×0.8mm width×high×deep
长度 Length	1米或2米 1m or 2m	1米或2米 1m or 2m
订货号 Code	06066	06068

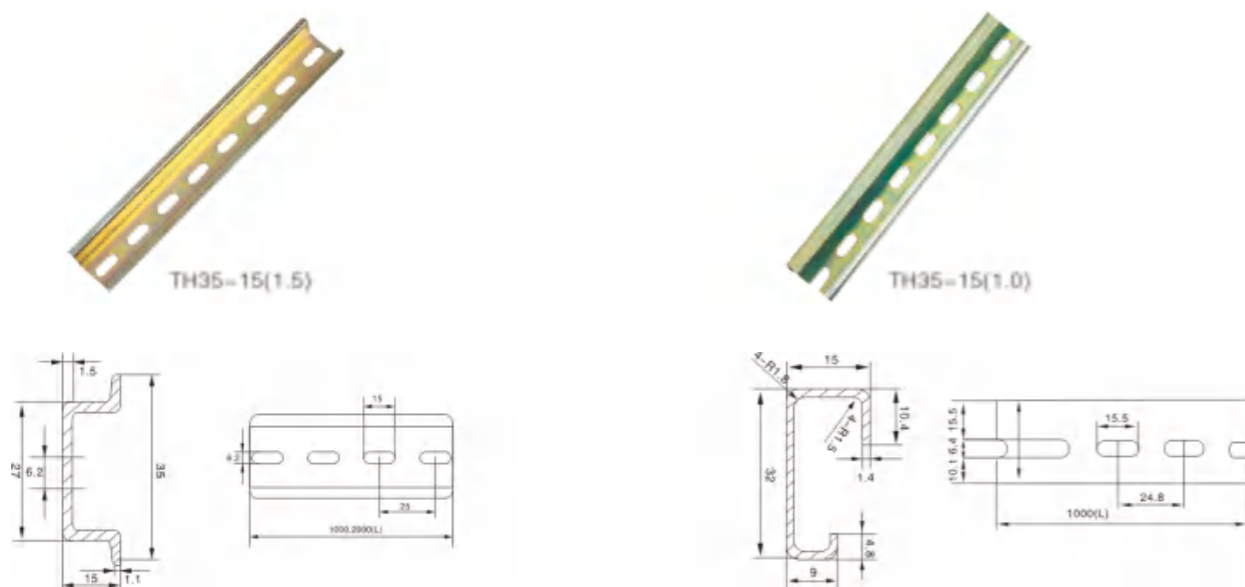
导轨配件 RAIL PARTS



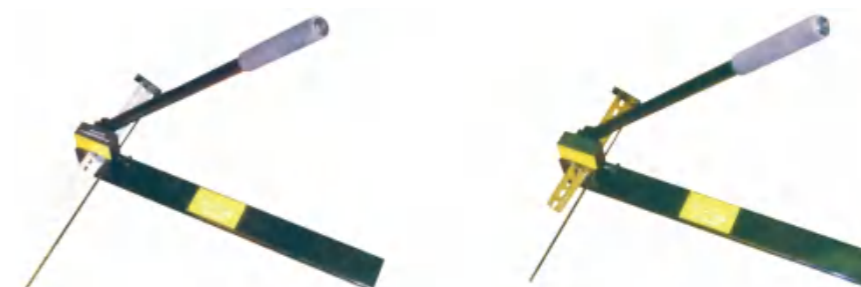
C45 塑料固定件 SDW-203
C45 Plastic end stopper SDW-203

SDK-22 固定件
SDK-22 End Stopper

E-UK 固定件
E-UK End Stopper


























电气安装轨	型号规格 Model	型号规格 Model
DIN Rail	TH35-15(1.5)	THW35-15(1.0)
尺寸 size	宽×高×厚 35×15×1.5mm width×high×deep	宽×高×厚 35×15×1.0mm width×high×deep
开孔尺寸 Hold size	φ6.2×15mm	φ6.2×15mm
长度 Length	1米或2米 1m or 2m	1米或2米 1m or 2m
订货号 Code	06063	06064



导轨切断器: 适用于TH35-7.5 TH35-15
Rail Cutter: Suit for TH35-7.5 TH35-15

IP AND IK CLASSIFICATIONS

IP、IK 防护等级标准

First Number	防固体异物	Second Number	防水	IK	防物理冲击
1P	Protection	1P	Protection	IK	Test
0	 无防护 No protection		 无防护 No protection		 无防护 No protection
1	 防护50mm直径和更大的固体外来体 protected against solid objects up to 50 mm e.g. to 50 mm e.g. hands		 防护垂直落下的水滴 protected against vertically falling drops of water	-	 冲击<1 焦耳 impact<1 joule
2	 防护12.5mm直径和更大的固体外来体 protected against solid objects up to 12.5 mm e.g. fingers		 箱体倾斜15°时，防护垂直落下的水滴 protected against direct sprays of water up to 15° from the vertical		 1焦耳冲击 impact 1 joule
3	 防护2.5mm直径和更大的固体外来体 protected against solid objects over 2.5mm (tools+small wires)		 防护以60°角从垂直线两侧溅出的水 protected against water sprayed from all directions-limited ingress permitted		 2焦耳冲击 impact 2 joule
4	 防护1.0mm直径和更大的固体外来体 protected against solid objects over 1mm (tools+small wires)		 防护从每个方向对准箱体的溅水 protected against water sprayed from all directions-limited ingress permitted		 5焦耳冲击 impact 5 joule
5	 防护灰尘 protected against dust-limited ingress permitted (no harmful deposit)		 防护从每个方向对准箱体的低压喷水 protected against low pressure jets of water from all directions-limited ingress permitted		 10焦耳冲击 impact 10 joule
6	 灰尘封闭 totally protected against dust		 防护从每个方向对准箱体的高压喷水 protected against strong jets of water e.g. for use on shipdecks-limited ingress permitted		 20焦耳冲击 impact 20 joule
			 防护在15cm~1m深水浸入30分钟 protected against the effects of immersion between 15 cm and 1m		
			 防护长时间浸入水中 protected against long periods of immersion under pressure		